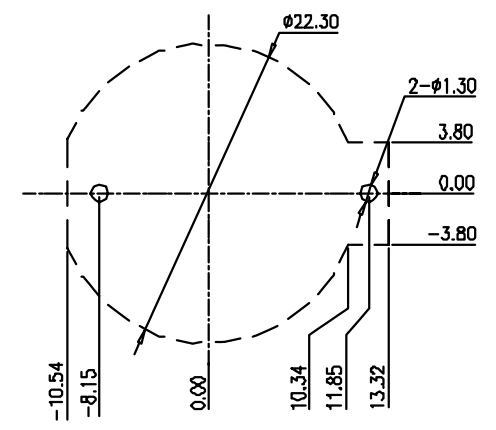
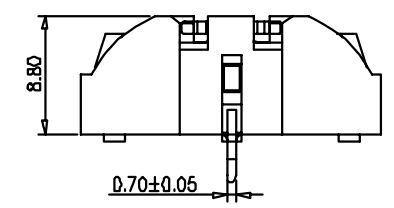
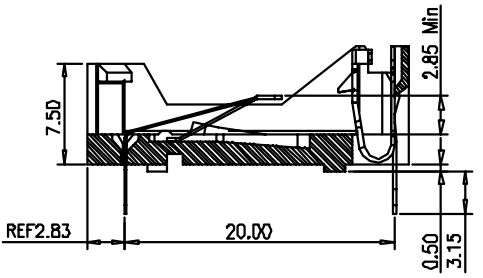
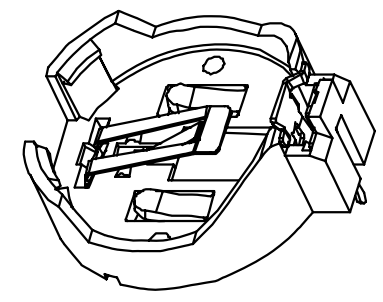
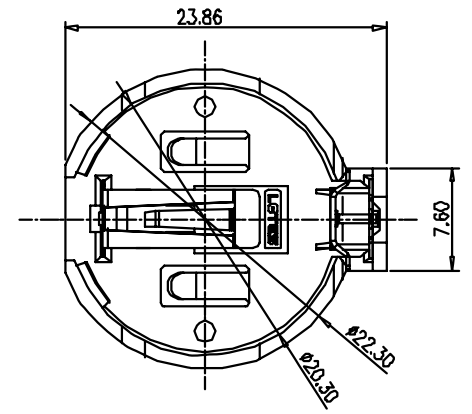


NOTES:
 1.MATERIAL:
 HOUSING: THERMOPLASTIC,UL 94V-0,BLACK.
 CONTACT: COPPER ALLOY
 2.CONTACT FINISH:
 50u" Min. NICKEL UNDERPLATING,100u" Min. TIN ON THE CONTACT.
 3.ACCORDING TO THE ENVIROMENTAL REQUIREMENT,WARRANTY
 THE CONTROLLED HAZARDOUS SUBSTANCE SHOULD BE
 MEET ROHS'S SPECIFICATION.



RECOMMENDED PC BOARD LAYOUT

RoHS Compliant

GENERAL TOLERANCE: .X=±0.20 .XX=±0.15		
UNIT: MM	DESCRIPTION: Battery Holder For CR2032	SIZE
SCALE: 1:1	PART NO: CR2032	A4
SHEET: 1 / 1		
PROJECTION:		

