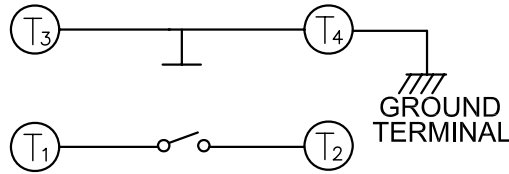
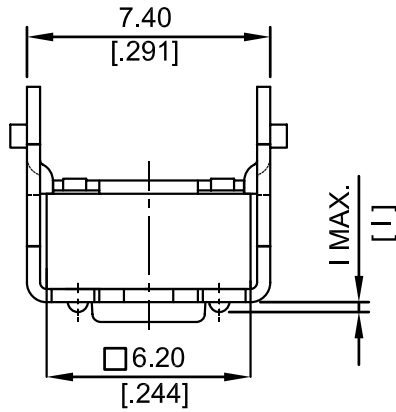
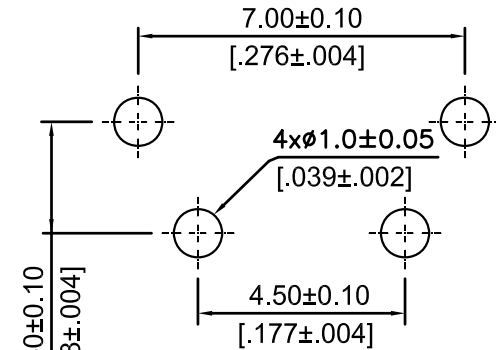


**NOTE:**

1. ALL DIMENSIONS ARE IN MILLIMETERS, BRACKETED DIMENSIONS ARE IN INCHES.
2. GENERAL TOLERANCES MAX.±0.20mm.



CIRCUIT DIAGRAM



P.C.B. LAYOUT

**TS-XR**

TACT SWITCH A 90°

TS-4R	8.35	[.329]
TS-2R	5.85	[.230]
TS-1R	3.85	[.152]
PROD.	NO.	H

