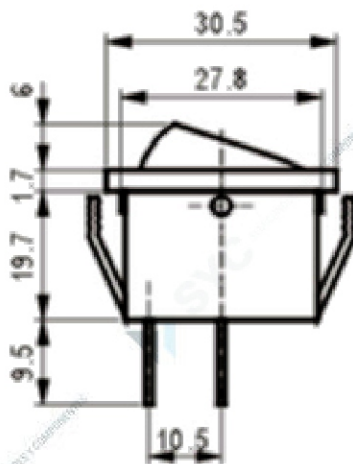
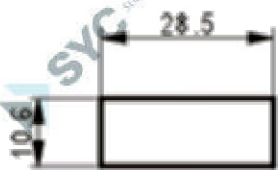


CODIGO	DESCRIPCION
TECLA-TR10-X	TECLA ON-OFF SPST 15A 30X14

**Specification:**

1. Rating: 20A 125VAC; 15A 250VAC; 35A 12VAC
2. Contact Resistance: 35mΩ max.
3. Insulation Resistance: 500VDC 100mΩ min.
4. Dielectric Strength: 1500VAC, 1Minute
5. Operating Temperature: -30°C~+80°C
6. Electrical Life: 10,000 Cycles



unit:mm