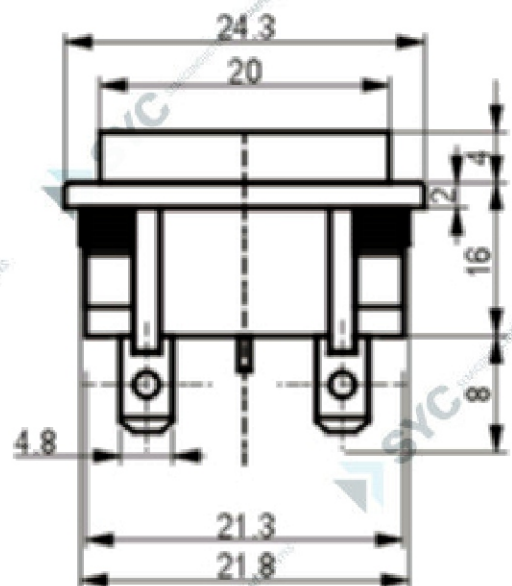
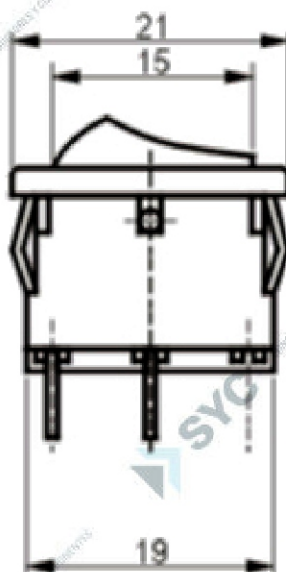
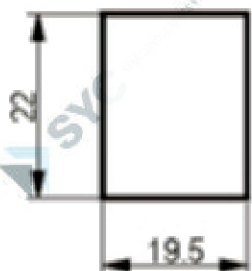


CODIGO	DESCRIPCION
TECLA-TR08-XLUZ	TECLA ON-OFF DPST 6A 21X24 LUZ

### Specification:

1. Rating: 10A 125VAC; 6A 250VAC  
DPST 4P
2. Contact Resistance: 35mΩ max.
3. Insulation Resistance: 500VDC 100mΩ min.
4. Dielectric Strength: 1500VAC, 1Minute
5. Operating Temperature: -30°C~+80°C
6. Electrical Life: 10,000 Cycles



unit:mm