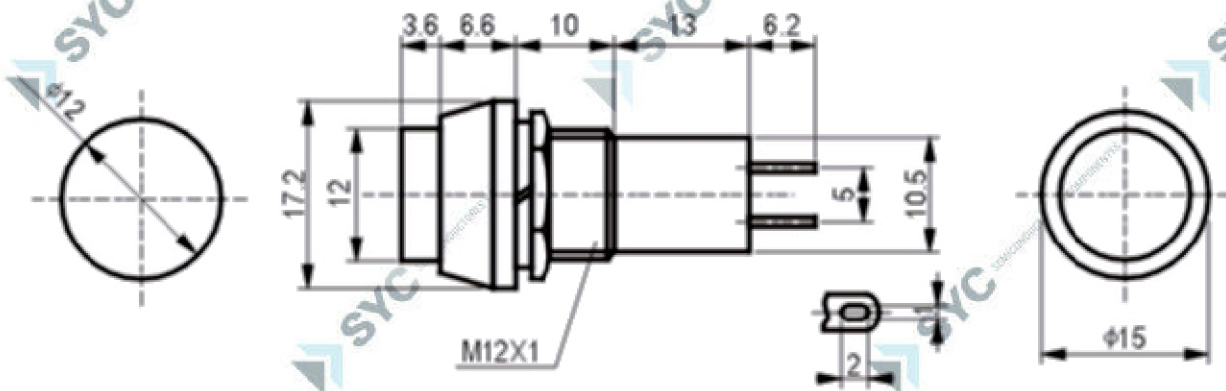


CODIGO	DESCRIPCION
PUL-ST080-IN-X	INTERRUPTOR ON-OFF 1A 250V 18MM

Specification:

1. Rating: 3A 125VAC; 1A 250VAC
2. Contact Resistance: 20mΩ max.
3. Insulation Resistance: 500VDC 100mΩ min.
4. Dielectric Strength: 1000VAC, 1Minute
5. Electrical Life: 50,000 Cycles



unit: mm