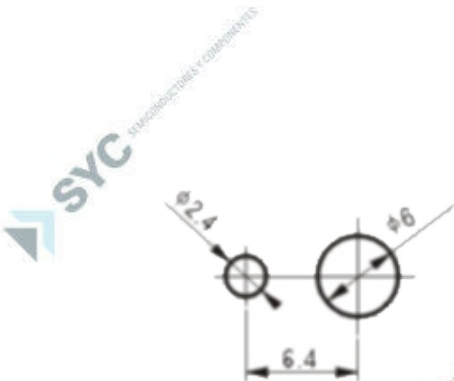
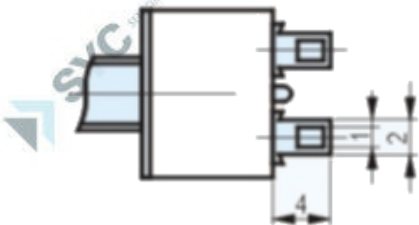


CODIGO	DESCRIPCION
LLAV-MICROE-52	LLAVE ON-OFF 3.0A 2P

### Specification:

1. Rating: 6A 125VAC;3A 250VAC
2. Contact Resistance: 20mΩ max.
3. Insulation Resistance: 500VDC 1000mΩ min.
4. Dielectric Strength: 1500VAC 1Minute
5. Operating Temperature: -55°C~+85°C
6. Electrical Life: 20,000 Cycles

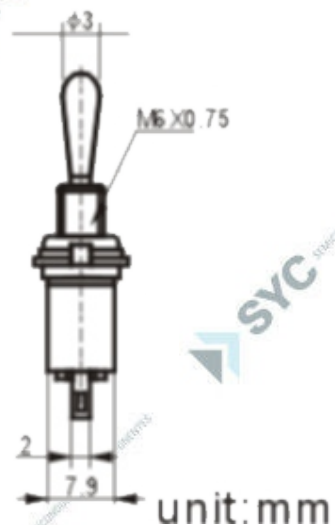
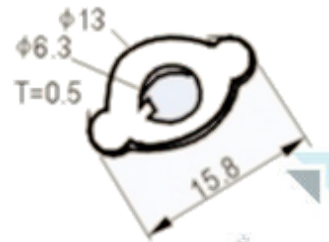
### Solder terminal(1)



### Handle Standard(A)



### Nameplate



unit:mm