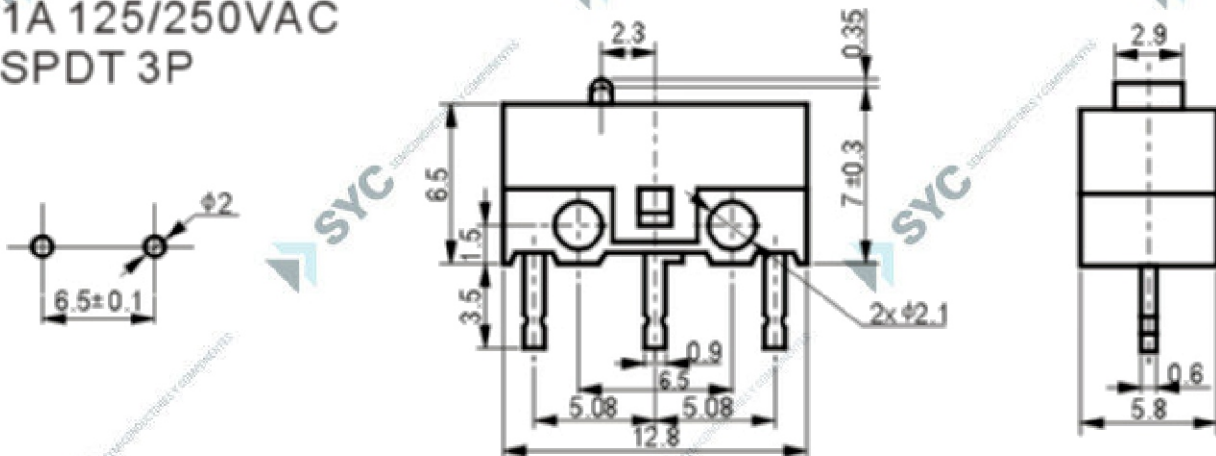


CODIGO	DESCRIPCION
DM-03S-0P	REEMPLAZA A DM-05S-0P

1. Rating: 1A 125/250VAC
2. Contact Resistance: 30mΩ max.
3. Insulation Resistance: 250VDC 100mΩ min.
4. Dielectric Strength: 1000VAC, 1Minute
5. Operating Temperature: -25°C~+65°C
6. Electrical Life: 30,000 Cycles

1A 125/250VAC
 SPDT 3P



unit: mm