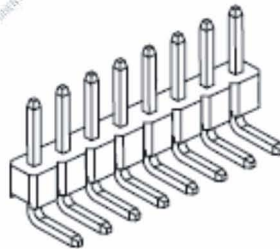
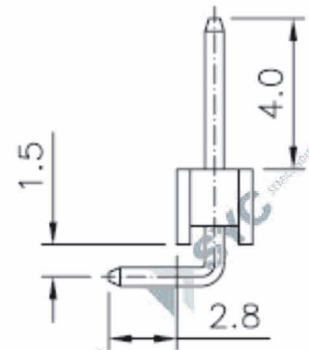
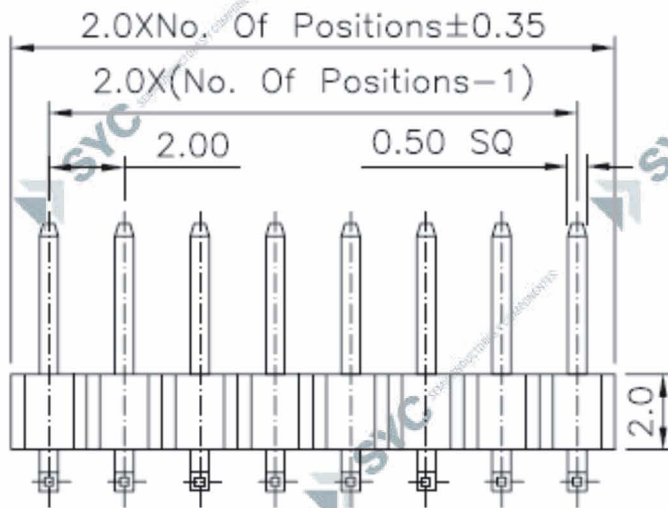
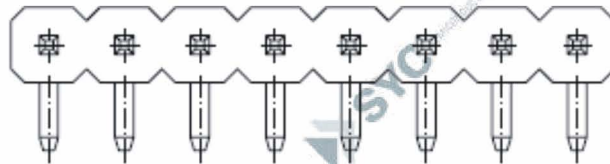


CODIGO	DESCRIPCION
PLS40R-2MM	Macho 2mm de 40 vias a 90°



Specifications:

- Current Rating: 2.0A AC/DC
- Voltage Rating: 250V AC/DC
- Contact Resistance: 20m ohm. Max.
- Insulation Resistance: 1000M ohm. Min.
- Withstanding Voltage: 500V AC For One Minute
- Operating Temperature Rating: -40°C ~ +105°C
- Material and Finish
- Insulator: High Temp Plastic (PBT UL94V-0)
- Insulator Color: Black
- Contact: Copper Alloy
- Plated: Gold Plated

