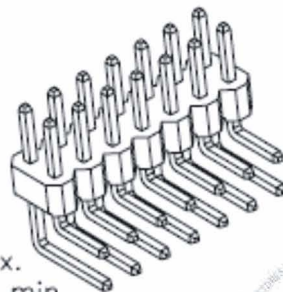
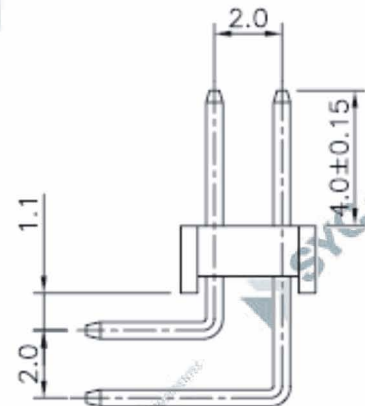
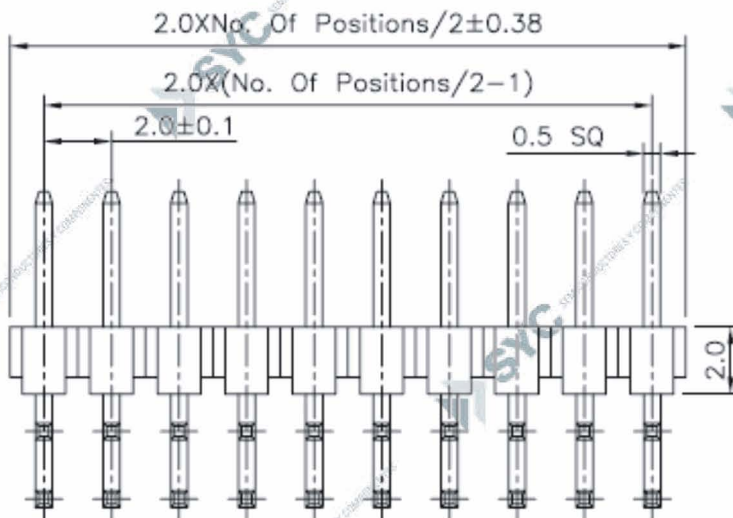
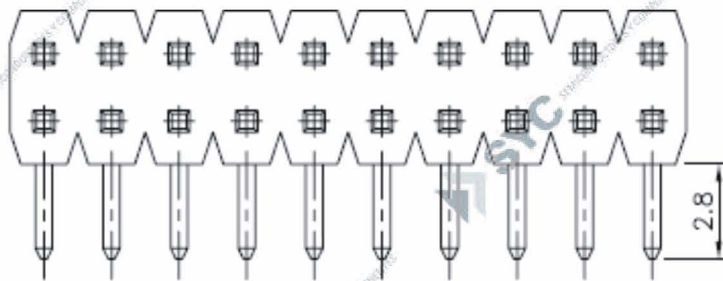
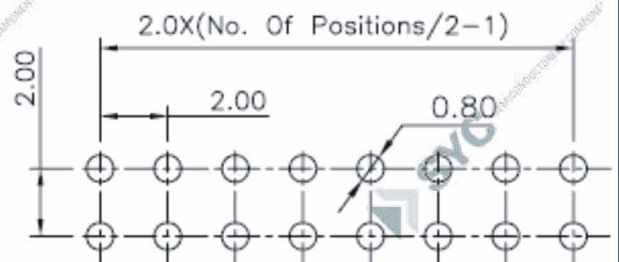


CODIGO	DESCRIPCION
PLD80R-2MM	Macho 2mm X 2mm de 80 vías a 90°



Specifications:

- Current Rating:2.0A AC/DC
- Voltage Rating:250V AC/DC
- Contact Resistance:20m ohm. max.
- Insulation Resistance:1000M ohm. min.
- Withstanding Voltage:500V AC For One Minute
- Operating Temperature Rating:-40°C ~ +105°C
- Material and Finish
- Insulator:High Temp. Plastic (PBT UL94V=0)
- Insulator Color:Black
- Contact:Copper Alloy
- Plating:Gold Plated



PCB Layout