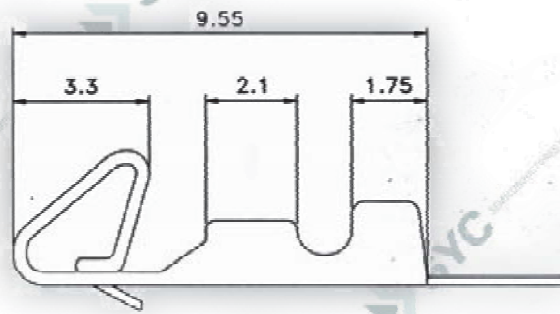


CODIGO

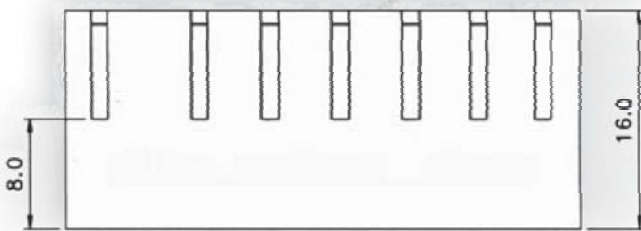
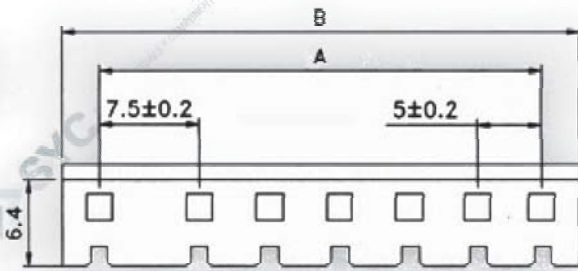
PHUX-755

DESCRIPCION

Conector pin seccion cuadrada 7.5/5mm X vias



2220T



5289H-XX



UNIT : mm

| CIRCUITS | DIM. A | DIM. B |
|----------|--------|--------|
| 2 | 7.50 | 11.50 |
| 3 | 12.50 | 16.50 |
| 4 | 17.50 | 21.50 |
| 5 | 22.50 | 26.50 |
| 6 | 27.50 | 31.50 |
| 7 | 32.50 | 36.50 |
| 8 | 37.50 | 41.50 |
| 9 | 42.50 | 46.50 |
| 10 | 47.50 | 51.50 |
| 11 | 52.50 | 56.50 |
| 12 | 57.50 | 61.50 |
| 13 | 62.50 | 66.50 |
| 14 | 67.50 | 71.50 |
| 15 | 72.50 | 76.50 |