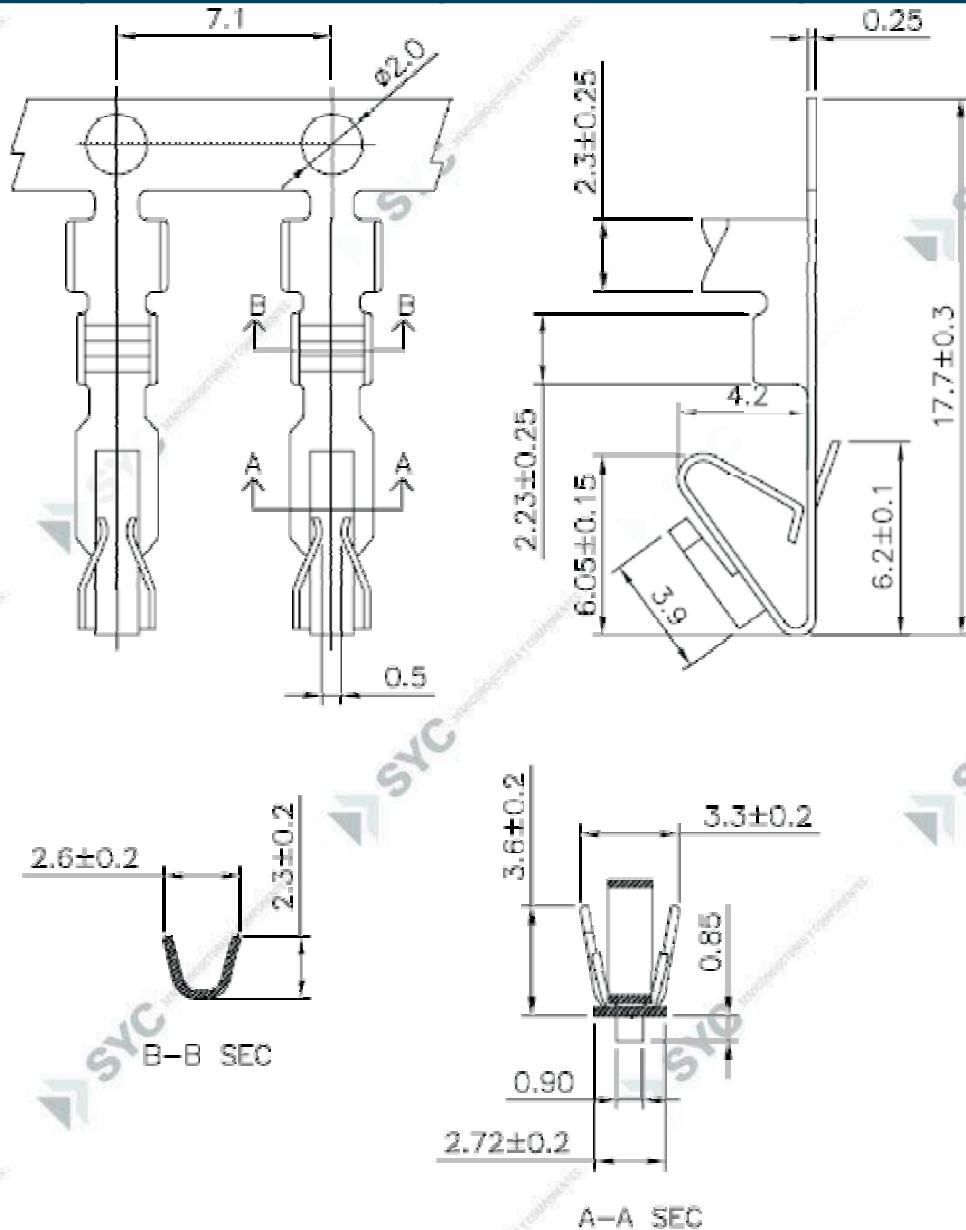


CODIGO

PHUT-T

DESCRIPCION

Terminal crimpeable p/PHUXX trifurcon en rollo



■ **SPECIFICATIONS**

- Voltage Rating : 250V AC/DC
- Current Rating : 5A AC/DC
- Withstanding Voltage : 1,500V AC/minute
- Insulation Resistance : 1,000M Ω min
- Temperature Range : - 25 $^{\circ}$ C to + 85 $^{\circ}$ C
- Contact Resistance : 20m Ω max

■ **TERMINAL**

- Applicate Wires : AWG# 18 - 24
- Material : Brass
- Finish : Tin Plated
- Thickness : 0.25mm
- Q' ty : 7,000 pcs./Reel