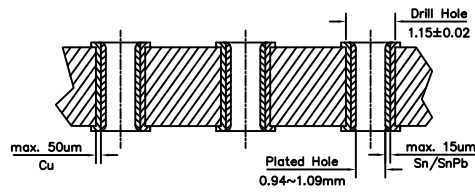
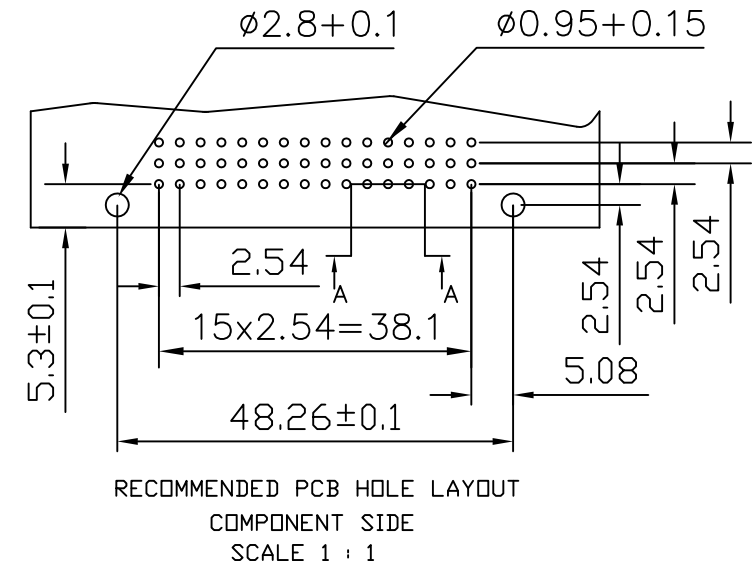
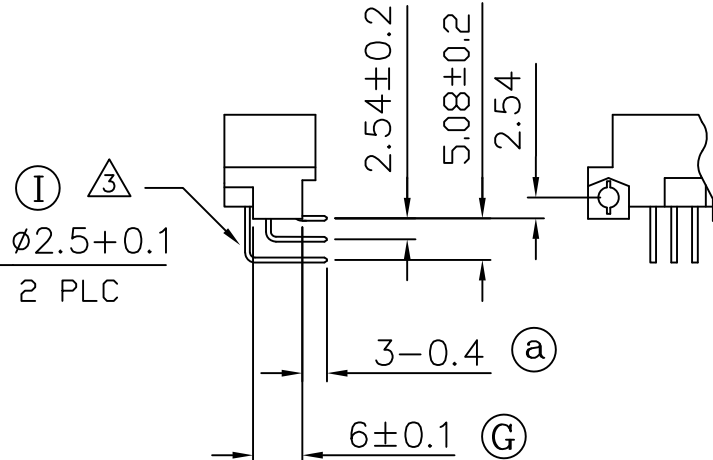


NOTES :

- ① CONNECTOR MEETS REQUIREMENT OF DIN 41612
- ② MATERIAL :  
-HOUSING : GLASS-FILLED PBT, COLOR GREY, UL 94V-0  
-CONTACT : COPPER ALLOY
- ③ CONTACT TAIL DIMENSION  
THICKNESS : 0.48 ±0.03mm  
WIDTH : 0.48 ±0.03mm  
TAIL LENGTH : 3 - 0.4mm
- ④ CONTACT FINISH (OPTION IN PART NUMBER)  
-1 : CLASS 1  
-2 : CLASS 2  
BLANK : CLASS 3  
-L : CONTACT LUBRICATED WITH LUBRICANT
- ⑤ CONNECTOR PRINTED WITH COMPANY NAME, PART NUMBER, AND BATCH NUMBER



RECOMMENDED HOLE SPECIFICATIONS  
SECTION A-A  
SCALE 6 : 1

DESCRIPTION : MALE, TYPE HALF C, 48 CONTACTS, RIGHT ANGLED SOLDER CONNECTOR CUSTOMER DRAWING		HCM48ABCR		MILLIMETRE
PART NUMBER				X.XXX ±0.012 X.XX ±0.05 X.X ±0.1 X ±0.25
NO.1 HCM48abcR-1	NO.4 HCM48abcR-1L	UNITS mm SCALE 1:1	ANGLE ±1° REV A	
NO.2 HCM48abcR-2	NO.5 HCM48abcR-2L			
NO.3 HCM48abcR	NO.6 HCM48abcR-L			