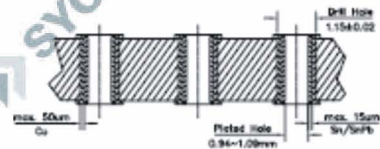
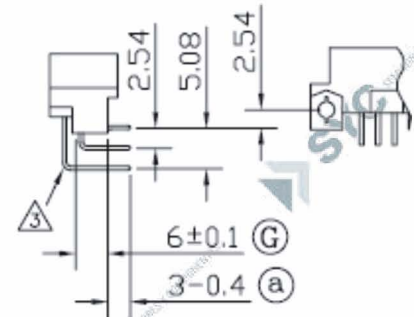
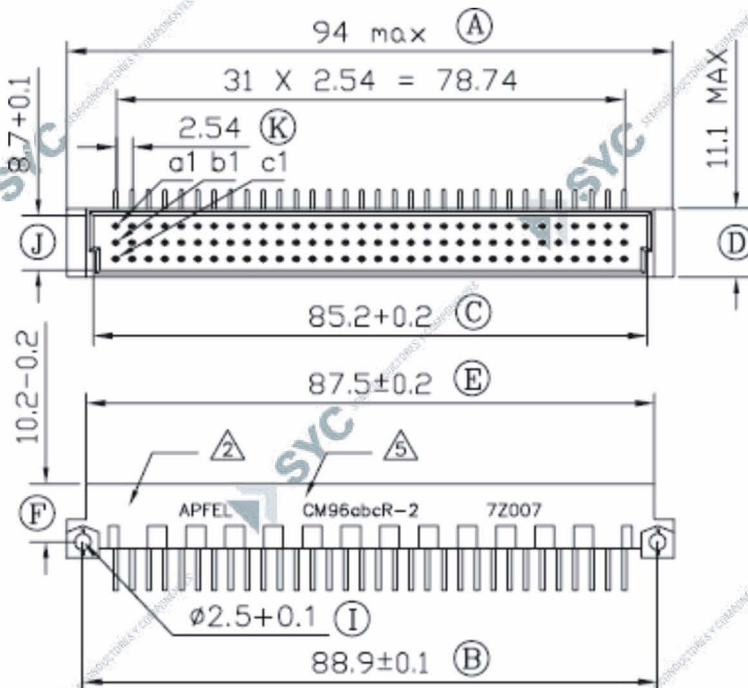
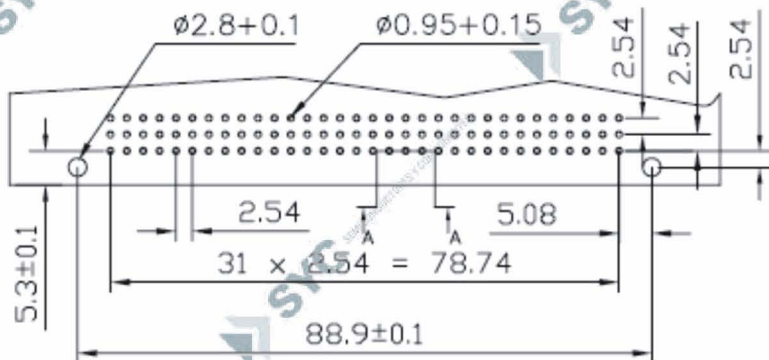


CODIGO	DESCRIPCION
CM96ABCR	Macho a 90° 3 x 32 A + B + C



RECOMMENDED HOLE SPECIFICATIONS
SECTION A-A



RECOMMENDED PCB HOLE LAYOUT
COMPONENT SIDE

- 1 CONNECTOR MEETS REQUIREMENT OF DIN 41612
- 2 MATERIAL
 - HOUSING: GLASS-FILLED PBT, COLOR GREY, UL 94V-0
 - CONTACT: COPPER ALLOY
- 3 CONTACT TAIL DIMENSION
 - THICKNESS : 0.48 ± 0.03mm
 - WIDTH : 0.48 ± 0.03mm
 - TAIL LENGTH : 3 - 0.4mm
- 4 CONTACT FINISH (OPTION IN PART NUMBER)
 - 1: 30u"(0.75um) GOLD PLATING ON MATING AREA, TIN PLATING ON TAIL AREA, FLASH GOLD PLATING ON NON-MATING AREA, NICKEL UNDERPLATE ALLOVER
 - 2: 15u"(0.38um) GOLD PLATING ON MATING, TIN PLATING ON TAIL AREA, FLASH GOLD PLATING ON NON-MATING AREA, NICKEL UNDERPLATE ALLOVER
 - BLANK: FLASH GOLD PLATING ON MATING AND NON-MATING AREA, TIN PLATING ON TAIL AREA, NICKEL UNDERPLATE ALLOVER
- 5 CONNECTOR PRINTED WITH COMPANY NAME, PART NUMBER, AND BATCH NUMBER
- 6 MATING SIDE LENGTH
 - STANDARD : 5.05-0.25mm
 - EXTENDED : 5.60+0.2/-0.05mm
 - SHORT : 4.25+0.1/-0.05mm