

**CODIGO**

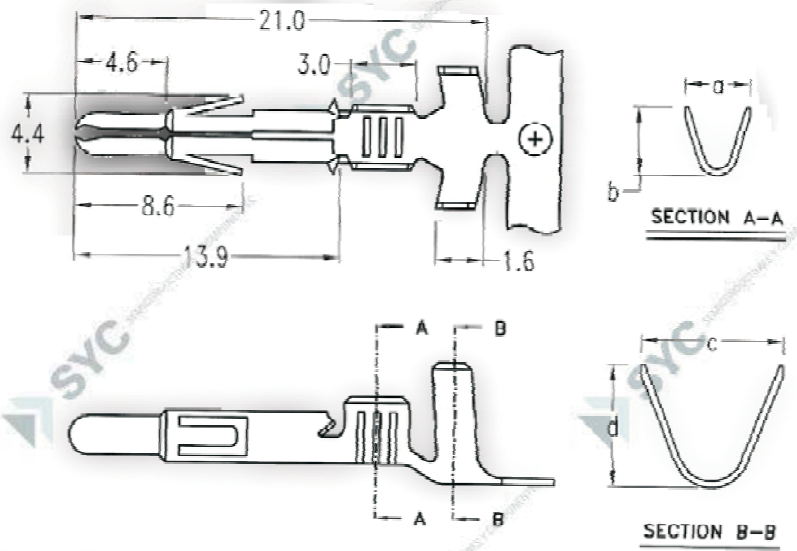
9635TP-1620A/B

**DESCRIPCION**

Terminal para 9635P-02 a 05 (A), 06 a 12 (B)

**Features / Specifications:**

- Used in 9635P series housing ( 6 ~ 15 circuits )
- Current rating: 11A
- Voltage rating: 600V
- Ambient temperature range: -55°C ~ 105°C


**Ordering & Dimensional Information ( mm )**

Part No.	Dimension				Wire range	Material	Thickness	Finish	Q'ty/Reel
	a	b	c	d					
9635TP-1822-A	2.4	2.4	3.4	3.4	#18 ~ #22	Brass	0.3mm	Tin-plated	3500 PCS
9635TP-1620-A	3.5	3.2	4.0	4.5	#16 ~ #20				
9635TP-1822-B	2.4	2.4	3.4	3.4	#18 ~ #22				
9635TP-1620-B	3.5	3.2	4.0	4.5	#16 ~ #20				

 9635TP-XXXX-A: 1~5 Circuits use  
 9635TP-XXXX-B: 6~15 Circuits use