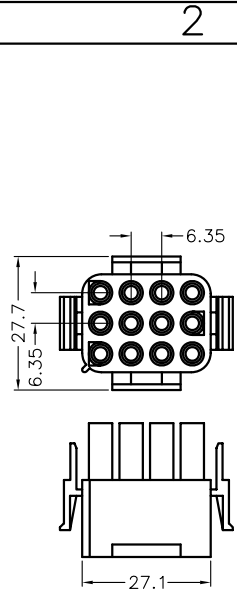
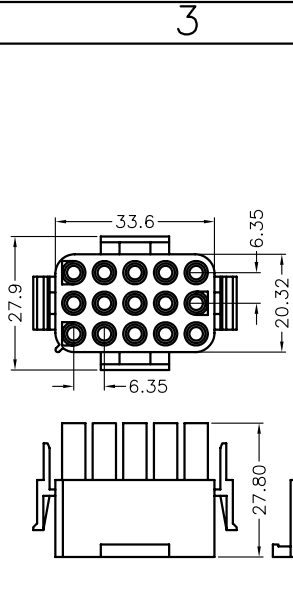


9635R-09



9635R-12

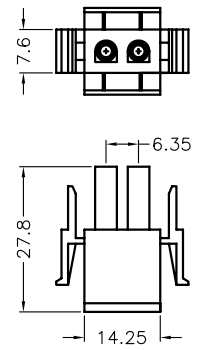


9635R-15

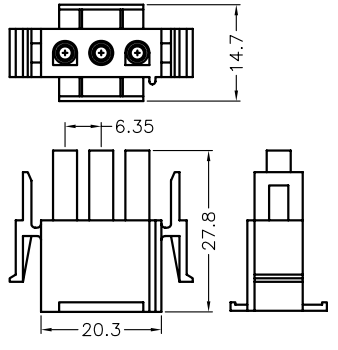
Specifications:
 Current Rating:13.0 Amps
 Voltage Rating:600V AC/DC
 Contact Resistance:20m Ohm Max
 Insulator Resistance:1000M Ohm Min
 Withstanding Voltage: 5000V AC/minute
 Operating Temperature:-55°C~+125°C
 Material:
 Plastic:Nylon 66 UL94V-2

How To Order

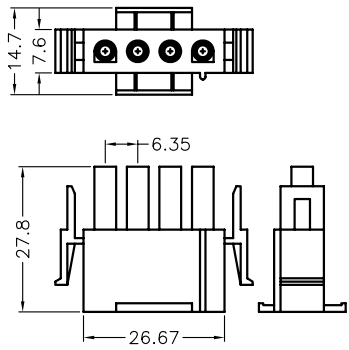
9635R-XX



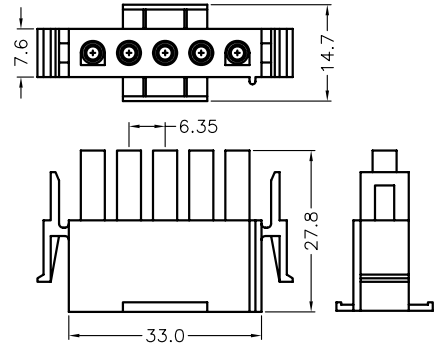
9635R-02



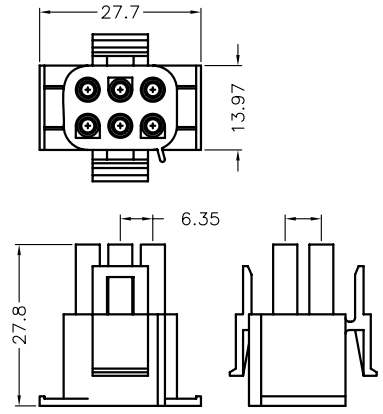
9635R-03



9635R-04



9635R-05



9635R-06

RoHS Compliant

GENERAL TOLERANCE: .X=±0.2 .XX=±0.15		DESCRIPTION: 6.35mm Power Receptacle Housing	SIZE A4
UNIT: MM	PART NO: 9635R-XX		
SCALE:1:1			
SHEET: 1 / 1			
PROJECTION:			