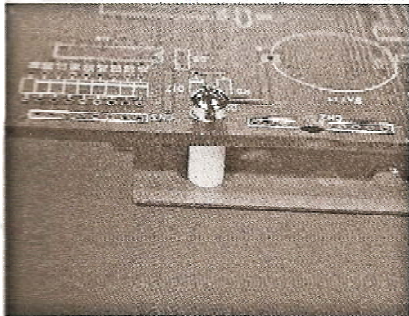


CODIGO

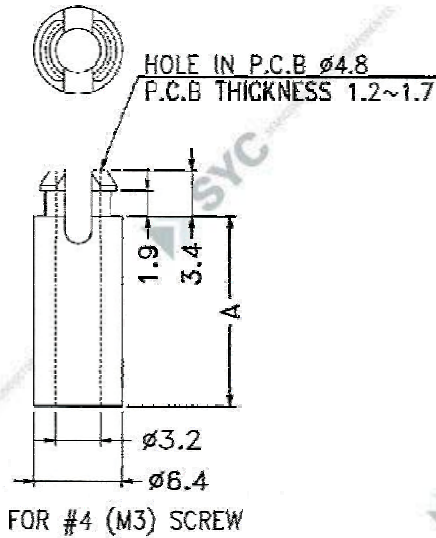
DESCRIPCION

SS-X

Espaciador de circuito impreso



- ◆ MATERIAL: NYLON 66(UL)
- ◆ FLAME CLASS: 94V-2
- ◆ COLOR: NATURAL
- ◆ UNIT: mm



PART NO	A	PACKAGE	
SS-3	3.2	1000	
SS-3.5	3.5		
★SS-4	4.0		
SS-4.5	4.5		
SS-5	4.8		
SS-6	6.4		
SS-8	7.9		
SS-10	9.5		
SS-11	11.1		
SS-12A	12.0		
SS-12	12.7		
SS-14	14.2		
SS-15	15.0		
SS-16	15.9		
SS-19	19.1		
SS-22	22.2		500
SS-25	25.4		