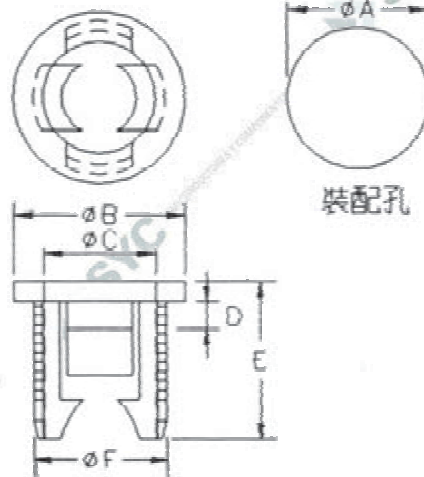


**CODIGO**

LEDX-1

**DESCRIPCION**

Portaled de 1 pieza



装配孔

PART NO	A	B	C	D	E	F	適用LED	PACKAGE
LED3-1	4.5	5.6	3.1	1.4	5.6	4.4	ø3.0	2000
LED5-1	6.4	7.6	5.0	1.5	7.1	6.2	ø5.0	