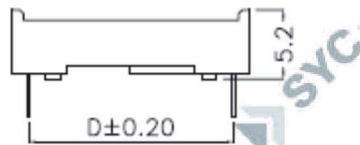
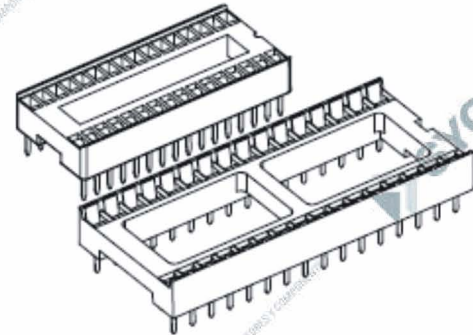
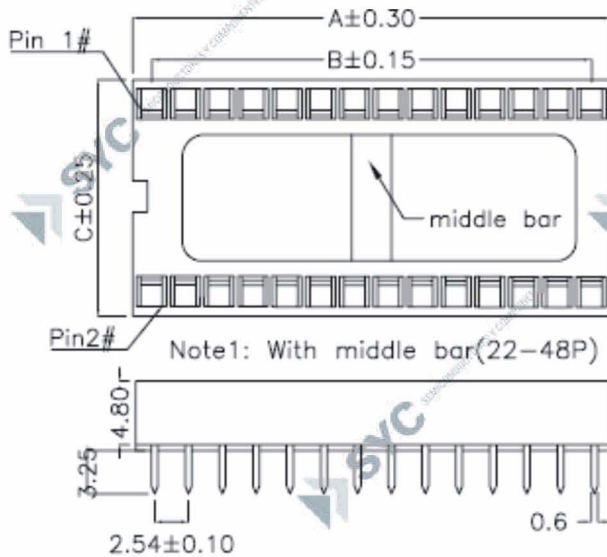


CODIGO

SCSXX

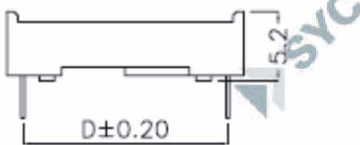
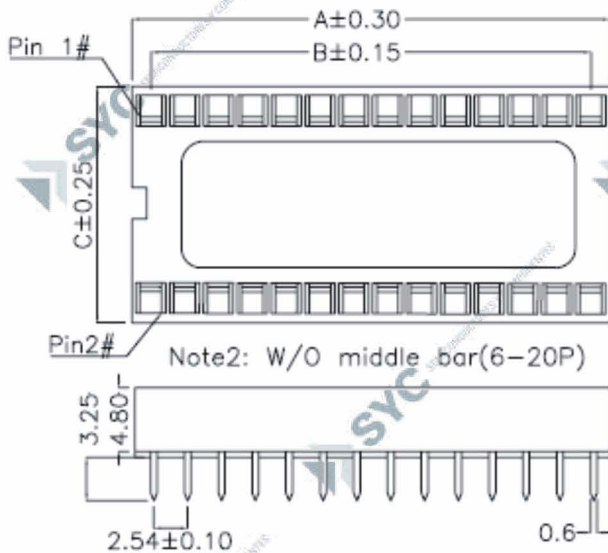
DESCRIPCION

Zocalo DIL



Specifications:

Current Rating:1.0A AC/DC
 Voltage Rating:100V AC/DC
 Contact Resistance:10m ohm. max.
 Insulator Resistance:5000M ohm. min.
 Dielectric Withstanding voltage:1000V AC/minute
 Operating Temperature Range:-40°C to +105°C
 Material and Finish
 Insulator:High Temp. Plastic (UL 94V-0)
 Insulator Color:Black
 Contacts:Copper Alloy
 Finish: Tin Plated



Circuits	DIM.A	DIM.B	DIM.C	DIM.D	Spacing
6	7.62	5.08	10.16	7.62	03
8	10.16	7.62	10.16	7.62	
14	17.78	15.24	10.16	7.62	
16	20.32	17.78	10.16	7.62	
18	22.86	20.32	10.16	7.62	
20	25.40	22.86	10.16	7.62	
24	30.48	27.94	10.16	7.62	
28	35.56	33.02	10.16	7.62	
22	27.94	25.40	12.70	10.16	04
24	30.48	27.94	17.78	15.24	
28	35.56	33.02	17.78	15.24	
32	40.64	38.10	17.78	15.24	
40	50.80	48.26	17.78	15.24	
42	53.34	50.80	17.78	15.24	
48	60.96	58.42	17.78	15.24	

