

LED-200-45209



**ATTENTION**

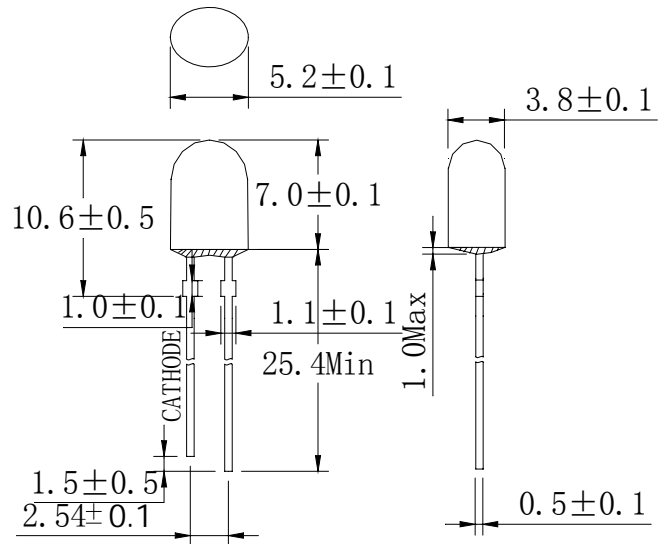
OBSERVE PRECAUTIONS  
FOR HANDLING  
ELECTROSTATIC  
DISCHARGE  
SENSITIVE  
DEVICES

**Features:**

- Single color
- High bright output
- Low power consumption
- High reliability and long life

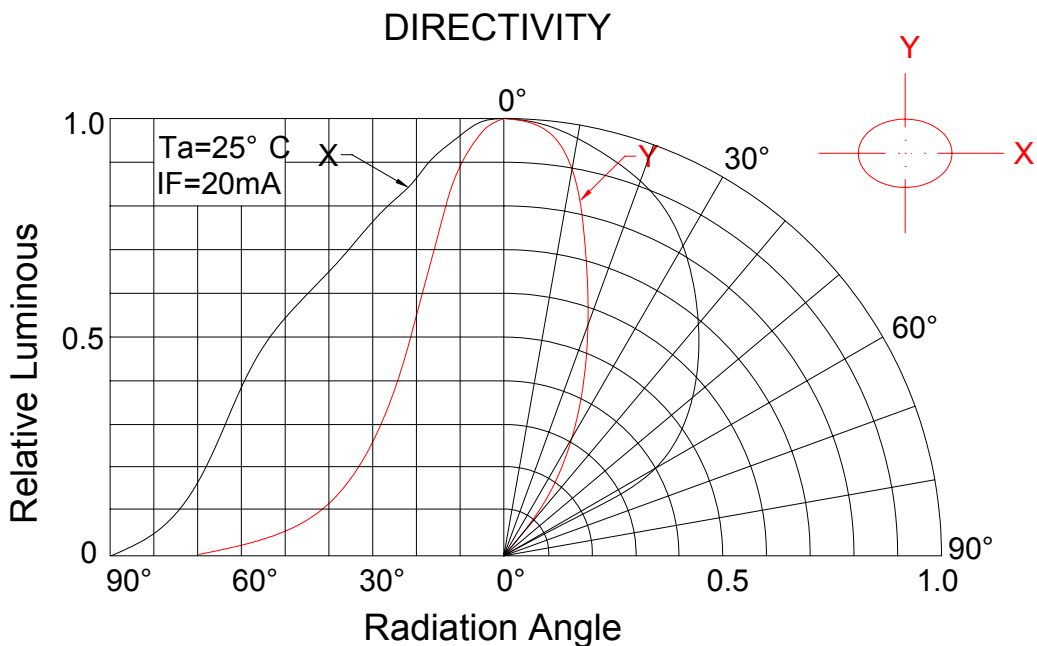
**Descriptions:**

- Dice material: GaN
- Emitting Color: Super Bright Green
- Device Outline: 5.2×3.8mm Oval Type
- Lens Type: Green Diffused



**NOTE:**

- All dimensions are millimetres.
- Tolerance is +/-0.25mm unless otherwise noted



# LED SPECIFICATION

## Absolute maximum ratings (Ta = 25°C)

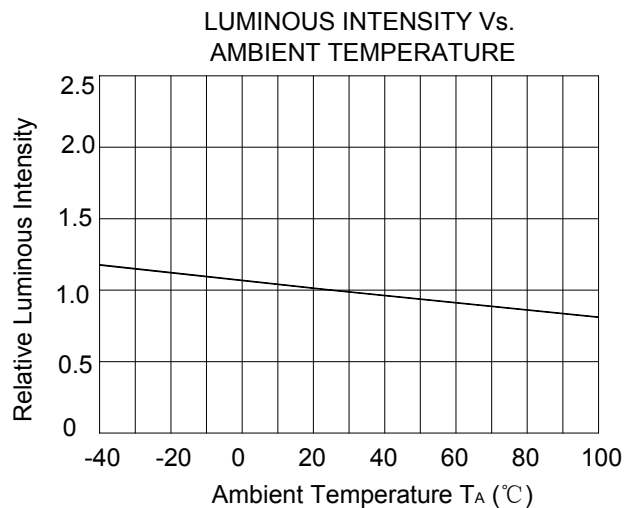
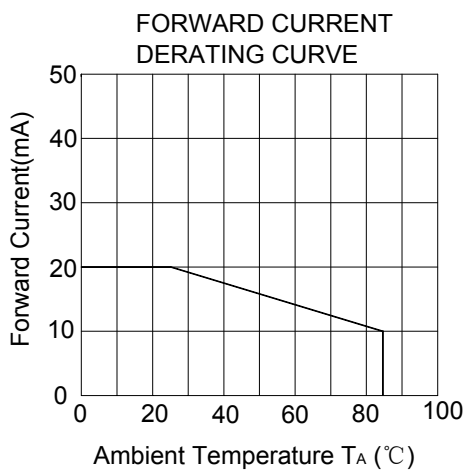
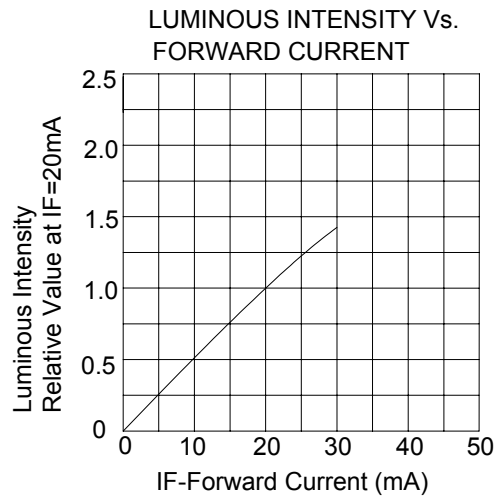
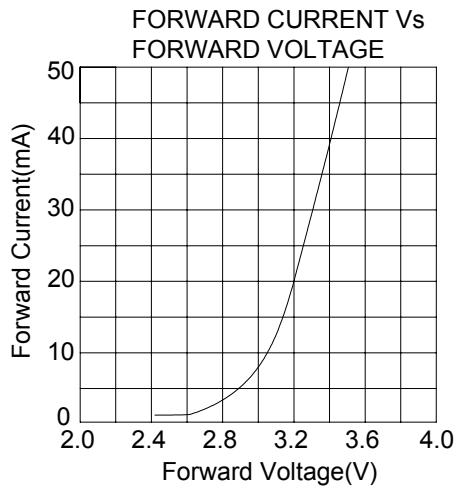
Parameter	Symbol	Test Condition	Value		Unit
			Min.	Max.	
Reverse Voltage	VR	IR = 30 μA	5	--	V
Forward Current	IF	----	----	30	mA
Power Dissipation	Pd	----	----	105	mW
Pulse Current	Ipeak	Duty=0.1mS, 1kHz	----	100	mA
Operating Temperature	Topr	----	-20	+85	°C
Storage Temperature	Tstr	----	-25	+100	°C

## Electrical and optical characteristics (Ta = 25°C)

Parameter	Symbol	Test Condition	Value			Unit
			Min.	Typ.	Max.	
Forward Voltage	VF	IF = 20mA	----	3.2	3.5	V
Reverse Current	IR	VR = 5V	----	----	30	μA
Dominate Wavelength	λd	IF = 20mA	----	525	----	nm
Spectral Line half-width	Δλ	IF = 20mA	----	35	----	nm
Luminous Intensity	IV	IF = 20mA	----	800	----	mcd
Viewing Angle	2θ 1/2	IF = 20mA	----	110/50	----	Deg.

# LED SPECIFICATION

## Typical electrical/optical characteristic curves:



**525/35**

