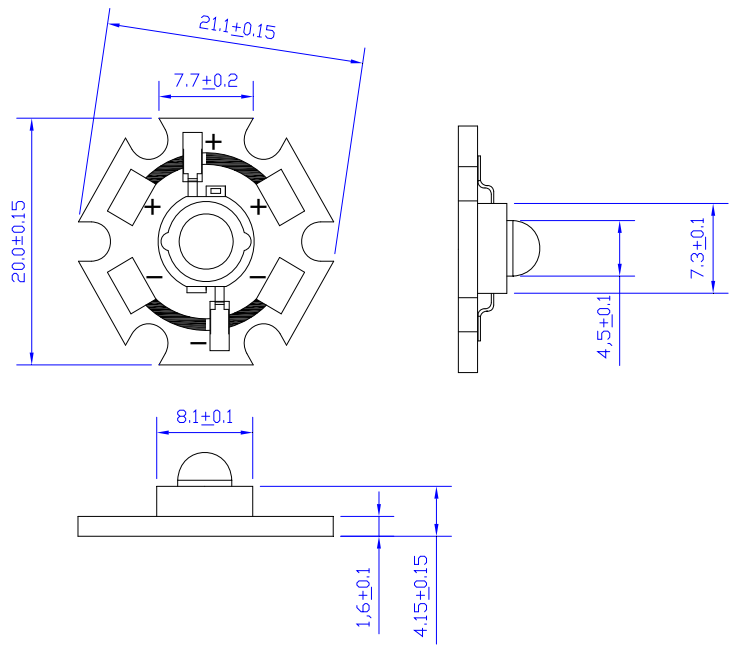


LED-050-70089

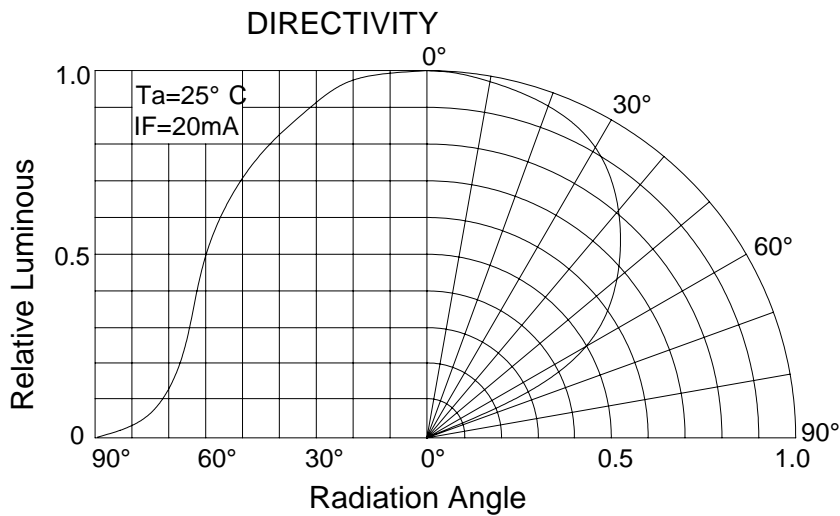
**Features:**

- Highest Flux White
- High reliability and Very long operating life
- Low voltage DC operated
- More Energy Efficient
- NO UV
- Superior ESD protection
- RoHS Compliant



**Typical Applications:**

- Reading lights
- Portable
- Automotive Exterior
- Decorative



**Unit: mm**

# SPECIFICATION

## Absolute maximum ratings (Ta = 25°C)

Parameter	Symbol	Test Condition	Value		Unit
			Min.	Max.	
DC Forward Current	IF	----	----	700	mA
Peak Pulse Current	Ipeak	Duty=0.1mS, 1kHz	----	1000	mA
Power Dissipation	Pd	----	----	3	W
LED Junction Temp.	Tj	----	----	120	°C
Operating Temperature	Topr	----	-25	+80	°C
Storage Temperature	Tstr	----	-40	+100	°C
ESD Sensitivity	----	HBM	8000	----	V
Soldering Temperature	----	----	260°C for 5 Seconds max		

## Electrical and optical characteristics (Ta = 25°C)

Parameter	Symbol	Test Condition	Value			Unit
			Min.	Typ.	Max.	
Forward Voltage	VF	IF = 700mA	3.3	3.8	4.2	V
Luminous Flux	Φv		60	85	----	lm
Viewing Angle	2 θ 1/2		----	120	----	Deg.
Color Temperature	CCT		----	3200	----	K

## Luminous Flux Bins (Ta = 25°C) Unit: lm

Bin	K	L	M
Min	60	80	100
Max	80	100	120

## CCT Bins (Ta = 25 )

Bin	W0	W1L	W1H
Min	----	3000K	3300K
Max	3000K	3300K	3600K