



LED-040-75082

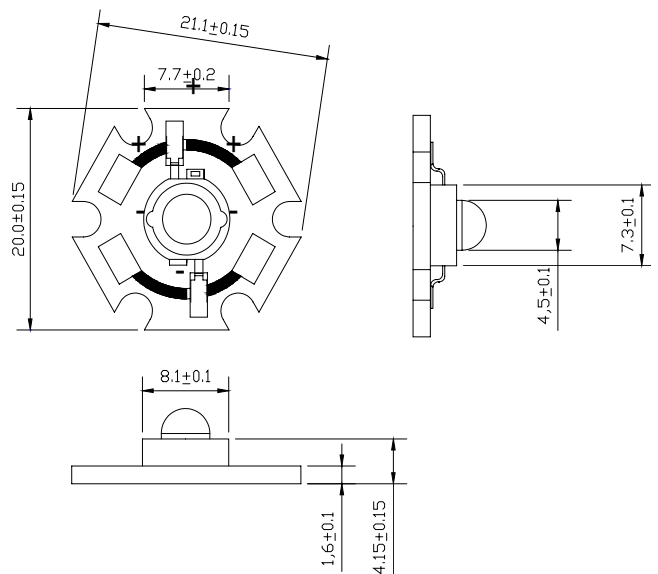
BLANCO 50LM BATWING

## Features:

- Highest Flux White
- High reliability and Very long operating life
- Low voltage DC operated
- More Energy Efficient
- NO UV
- Superior ESD protection
- RoHS Compliant

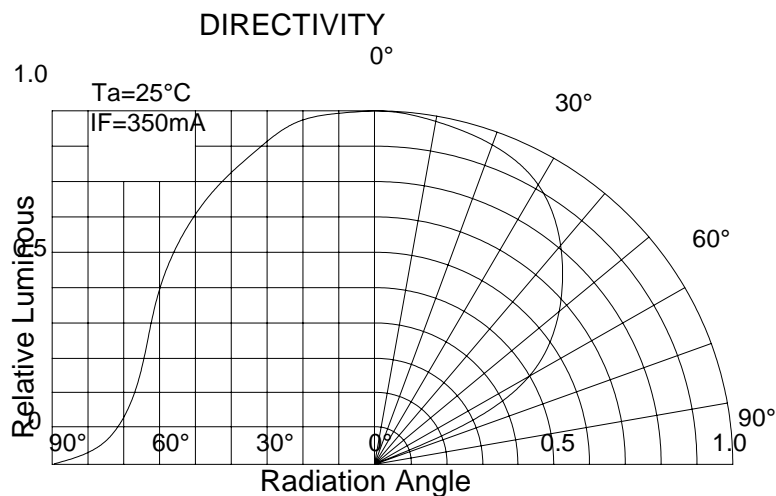
## Typical Applications:

- Reading lights
- Portable
- Automotive Exterior
- Decorative



## NOTE:

- All dimensions are millimeter.
- Tolerance is  $\pm 0.1$ mm unless otherwise noted



LED-040-75082

**Absolute maximum ratings (Ta = 25°C)**

**BLANCO 50LM BATWING**

Parameter	Symbol	Test Condition	Value		Unit
			Min.	Max.	
DC Forward Current	IF	----	----	350	mA
Peak Pulse Current	Ipeak	Duty=0.1ms, 1kHz	----	500	mA
Power Dissipation	Pd	----	----	1.25	W
LED Junction Temperature	Tj	----	----	120	°C
Operating Temperature	Topr	----	-25	+80	°C
Storage Temperature	Tstr	----	-25	+100	°C
ESD Sensitivity	----	HBM	8000	----	V
Soldering Temperature	----	----	260°C for 5 Seconds max		

**Electrical and optical characteristics (Ta = 25°C)**

Parameter	Symbol	Test Condition	Value			Unit
			Min.	Typ.	Max.	
Forward Voltage	VF	IF = 350mA	3	3.4	4.0	V
Luminous Flux	Φv		----	85	----	lm
Viewing Angle	2 θ 1/2		----	120	----	Deg.
Color Temperature	CCT		4500	----	----	K

**Luminous Flux Bins (Ta = 25°C)**

**unit: lm**

Bin	L	M
Min	70	80
Max	80	100

**CCT Bins (Ta = 25°C)**

**unit: K**

Bin	W5	W6	W7	W8	W9	W10
Min	4500	5000	5600	6300	7000	8000
Max	5000	5600	6300	7000	8000	9000