

LED-020-55066



**ATTENTION**

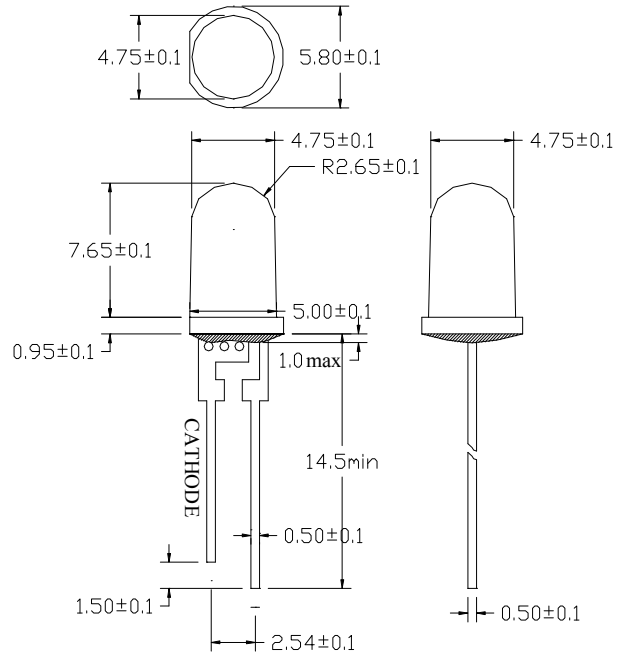
OBSERVE PRECAUTIONS  
FOR HANDLING  
ELECTROSTATIC  
DISCHARGE  
SENSITIVE  
DEVICES

**Features:**

- Single color
- High bright output
- Medium power consumption
- High reliability and long life

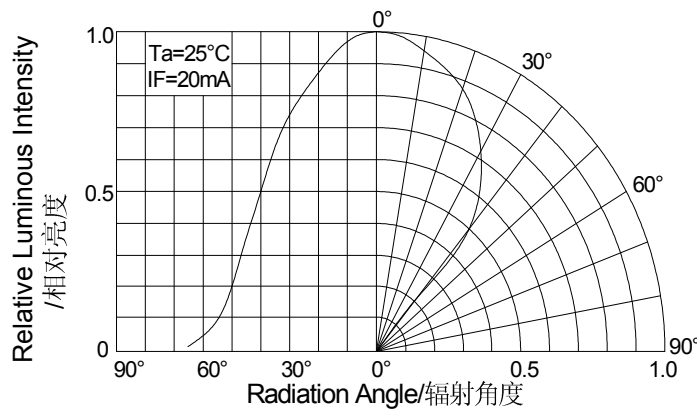
**Descriptions:**

- Dice material: GaInN
- Emitting Color: Super Bright Blue
- Device Outline:  $\phi$  5mm Round Type
- Lens Type: Water Clear



**NOTE:**

- All dimensions are millimetres.
- Tolerance is  $\pm 0.25$ mm unless otherwise noted



## LED SPECIFICATION

### Absolute maximum ratings (Ta = 25°C)

Parameter	Symbol	Test Condition	Value		Unit
			Min.	Max.	
Reverse Voltage	V <sub>R</sub>	I <sub>R</sub> = 30 μA	5	--	V
Forward Current	I <sub>F</sub>	----	----	100	mA
Power Dissipation	P <sub>d</sub>	----	----	0.5	W
Pulse Current	I <sub>peak</sub>	Duty=0.1mS, 1kHz	----	200	mA
Operating Temperature	T <sub>opr</sub>	----	-20	+85	°C
Storage Temperature	T <sub>str</sub>	----	-25	+100	°C

### Electrical and optical characteristics (Ta = 25°C)

Parameter	Symbol	Test Condition	Value			Unit
			Min.	Typ.	Max.	
Forward Voltage	V <sub>F</sub>	I <sub>F</sub> = 100mA	3.4	----	4	V
Reverse Current	I <sub>R</sub>	V <sub>R</sub> = 5V	----	----	30	μA
Luminous Flux	Φ <sub>v</sub>	I <sub>F</sub> = 100mA	2.8	----	4.7	lm
Color Temperature	CCT	I <sub>F</sub> = 100mA	----	----	----	K
Viewing Angle	2 θ 1/2	I <sub>F</sub> = 100mA	----	85	----	Deg.

### Luminous Flux Bins (Ta = 25°C)

Unit:lm

Bin	F	G	H	J	K	L
Min	1.3	1.7	2.2	2.8	3.6	4.7
Max	1.7	2.2	2.8	3.6	4.7	6.0

# LED SPECIFICATION

## Typical electrical/optical characteristic curves:

Fig.1 正向电流 Vs. 正向电压

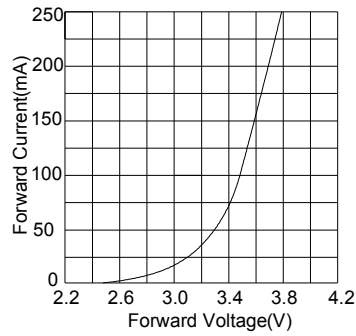


Fig.2 相对亮度 Vs. 正向电流

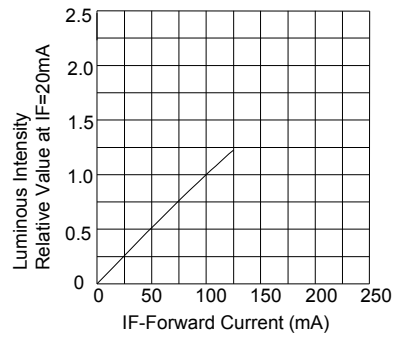


Fig.3 正向电流 Vs. 环境温度

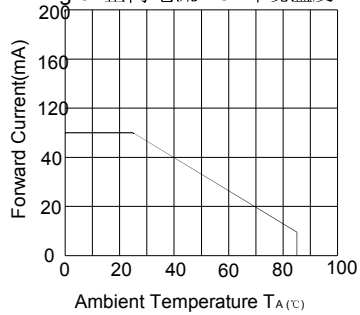


Fig.4 相对亮度 Vs. 环境温度

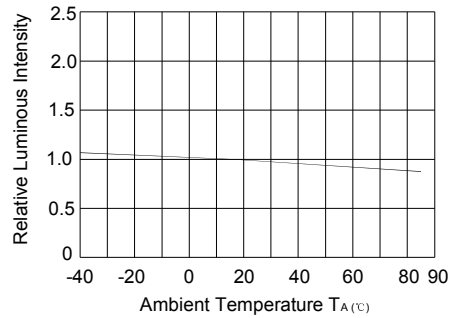


Fig.5 相对亮度 Vs. 波长

