

LED-020-45067



ATTENTION

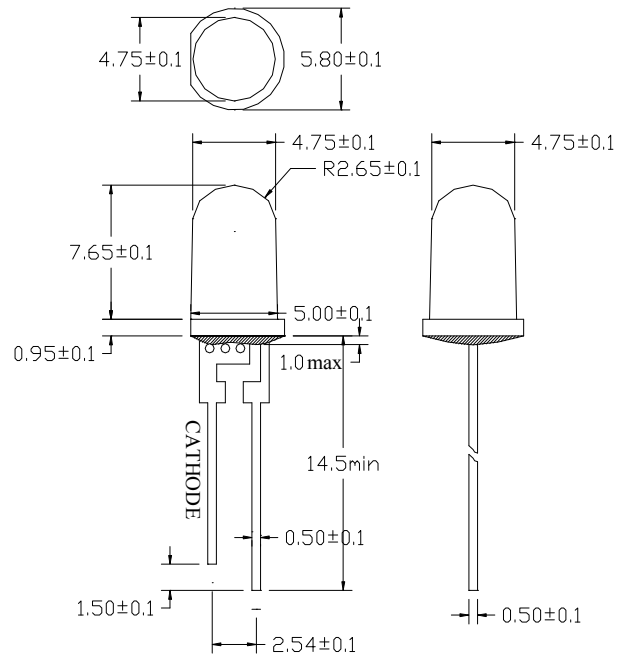
OBSERVE PRECAUTIONS
FOR HANDLING
ELECTROSTATIC
DISCHARGE
SENSITIVE
DEVICES

Features:

- Single color
- High bright output
- Medium power consumption
- High reliability and long life

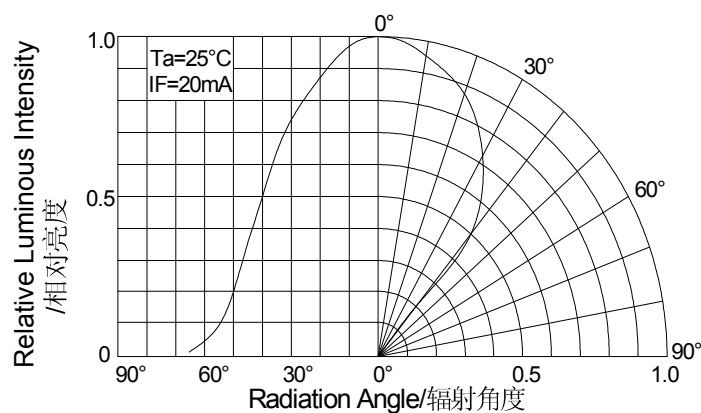
Descriptions:

- Dice material: GaInN
- Emitting Color: Super Bright Green
- Device Outline: ϕ 5mm Round Type
- Lens Type: Water Clear



NOTE:

- All dimensions are millimetres.
- Tolerance is ± 0.25 mm unless otherwise noted



LED SPECIFICATION

Absolute maximum ratings (Ta = 25°C)

Parameter	Symbol	Test Condition	Value		Unit
			Min.	Max.	
Reverse Voltage	V _R	I _R = 30 μA	5	--	V
Forward Current	I _F	----	----	100	mA
Power Dissipation	P _d	----	----	0.5	W
Pulse Current	I _{peak}	Duty=0.1mS, 1kHz	----	200	mA
Operating Temperature	T _{opr}	----	-20	+85	°C
Storage Temperature	T _{str}	----	-25	+100	°C

Electrical and optical characteristics (Ta = 25°C)

Parameter	Symbol	Test Condition	Value			Unit
			Min.	Typ.	Max.	
Forward Voltage	V _F	I _F = 100mA	3.4	3.7	4	V
Reverse Current	I _R	V _R = 5V	----	----	30	μA
Luminous Flux	Φ _v	I _F = 100mA	7.8		13	lm
Color Temperature	CCT	I _F = 100mA	----	----	----	K
Viewing Angle	2 θ 1/2	I _F = 100mA	70		90	Deg.

Luminous Flux Bins (Ta = 25°C)

Unit:lm

Bin	L	M	N	AE	AF
Min	4.7	6.0	7.8	10.0	13.0
Max	6.0	7.8	10.0	13.0	17.0

Typical electrical/optical characteristic curves:

Fig.1 正向电流 Vs. 正向电压

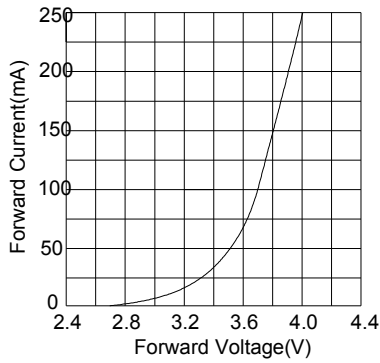


Fig.2 相对亮度 Vs. 正向电流

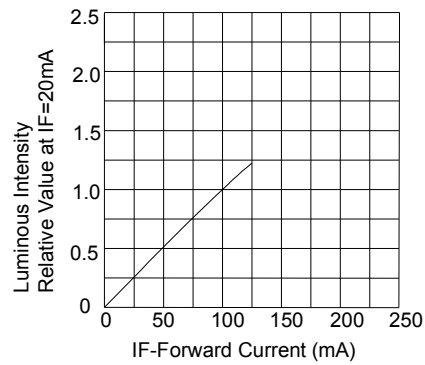


Fig.3 正向电流 Vs. 环境温度

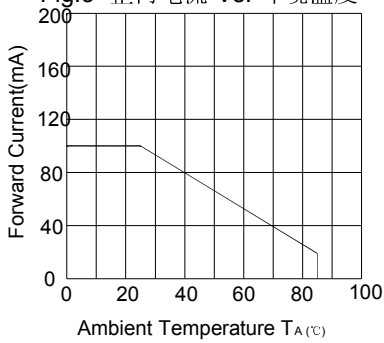


Fig.4 相对亮度 Vs. 环境温度

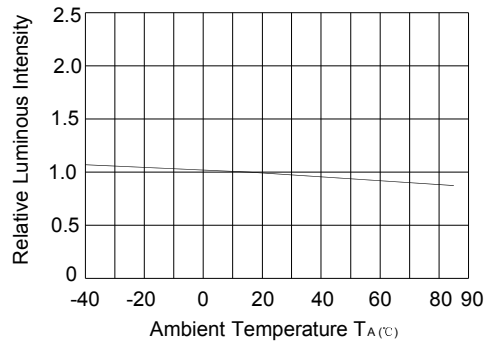


Fig.5 相对亮度 Vs. 波长

