

LED-020-40069



ATTENTION

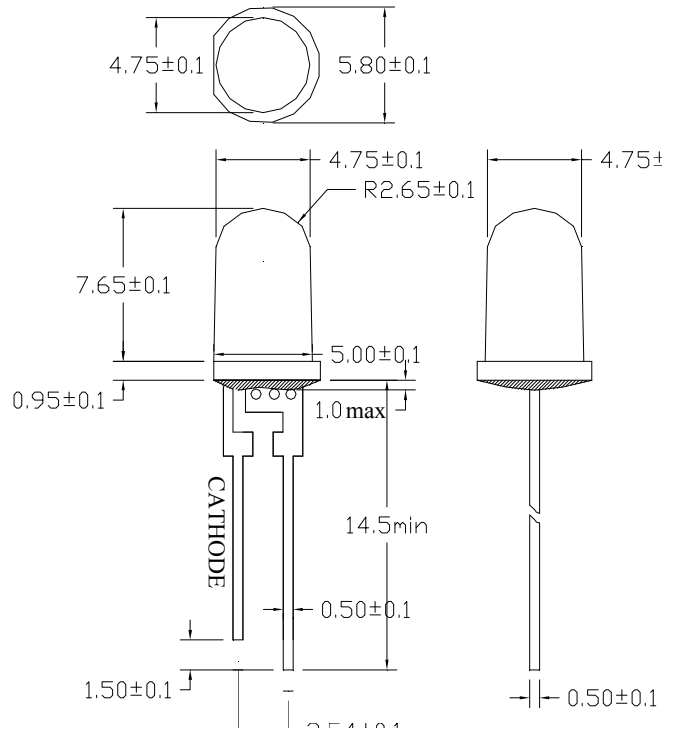
OBSERVE PRECAUTIONS
FOR HANDLING
ELECTROSTATIC
DISCHARGE
SENSITIVE
DEVICES

Features:

- Single color
- High bright output
- Middling power consumption
- High reliability and long life

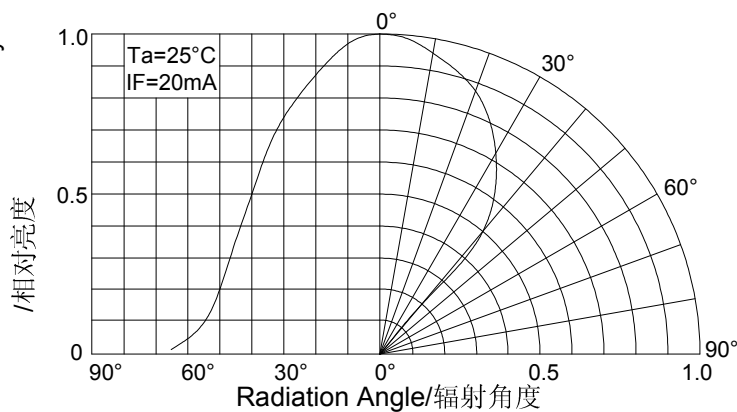
Descriptions:

- Dice material: AlGaInP
- Emitting Color: Super Bright Orange
- Device Outline: ϕ 5mm Round Type
- Lens Type: Water Clear



NOTE:

- All dimensions are millimetres.
- Tolerance is ± 0.25 mm unless otherwise noted



LED SPECIFICATION

Absolute maximum ratings (Ta = 25°C)

Parameter	Symbol	Test Condition	Value		Unit
			Min.	Max.	
Reverse Voltage	VR	IR = 30 μ A	5	--	V
Forward Current	IF	----	----	100	mA
Power Dissipation	Pd	----	----	0.5	W
Pulse Current	Ipeak	Duty=0.1mS, 1kHz	----	200	mA
Operating Temperature	Topr	----	-20	+85	°C
Storage Temperature	Tstr	----	-25	+100	°C

Electrical and optical characteristics (Ta = 25°C)

Parameter	Symbol	Test Condition	Value			Unit
			Min.	Typ.	Max.	
Forward Voltage	VF	IF = 100mA	2.2		2.8	V
Reverse Current	IR	VR = 5V	----	----	30	μ A
Luminous Flux	Φ_v	IF = 100mA	6		7.8	lm
Color Temperature	CCT	IF = 100mA	----	----	----	K
Viewing Angle	2 θ 1/2	IF = 100mA	----	85	----	Deg.

Luminous Flux Bins (Ta = 25°C)

Unit:lm

Bin	J	K	L	M	N
Min	2.8	3.6	4.7	6.0	7.8
Max	3.6	4.7	6.0	7.8	10.0

LED SPECIFICATION

Typical electrical/optical characteristic curves:

Fig.1 正向电流 Vs. 正向电压

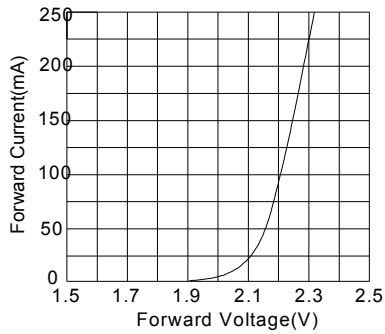


Fig.2 相对亮度 Vs. 正向电流

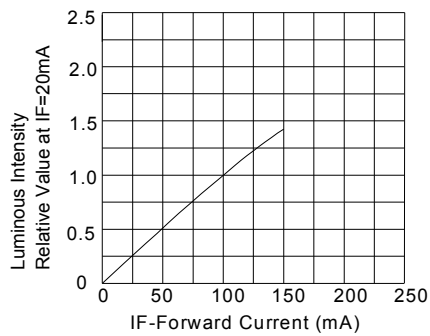


Fig.3 正向电流 Vs. 环境温度

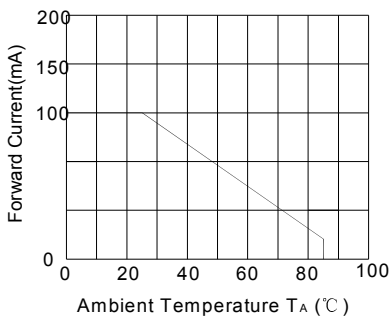


Fig.4 相对亮度 Vs. 环境温度

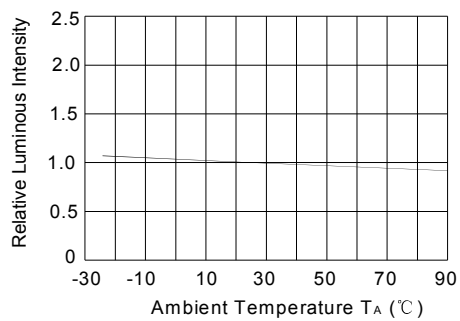


Fig.5 相对亮度 Vs. 波长

