

LED-010-25025

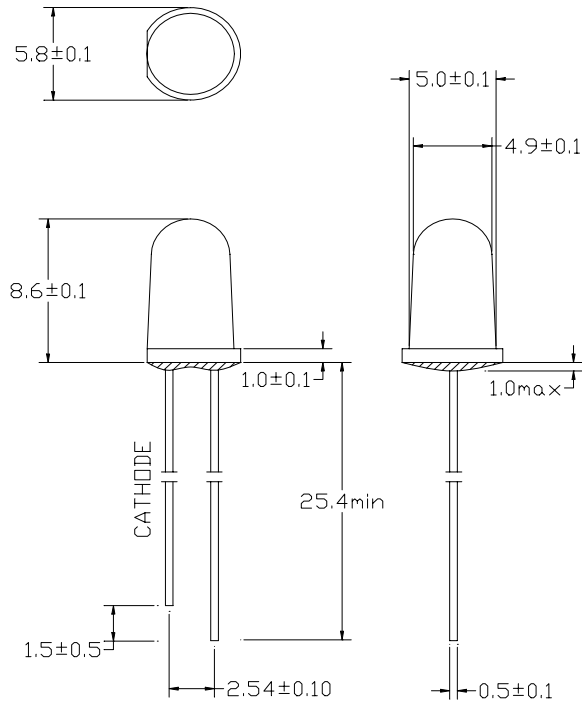
➤ **Features:**

- Single color
- High bright output
- Low power consumption
- High reliability and long life

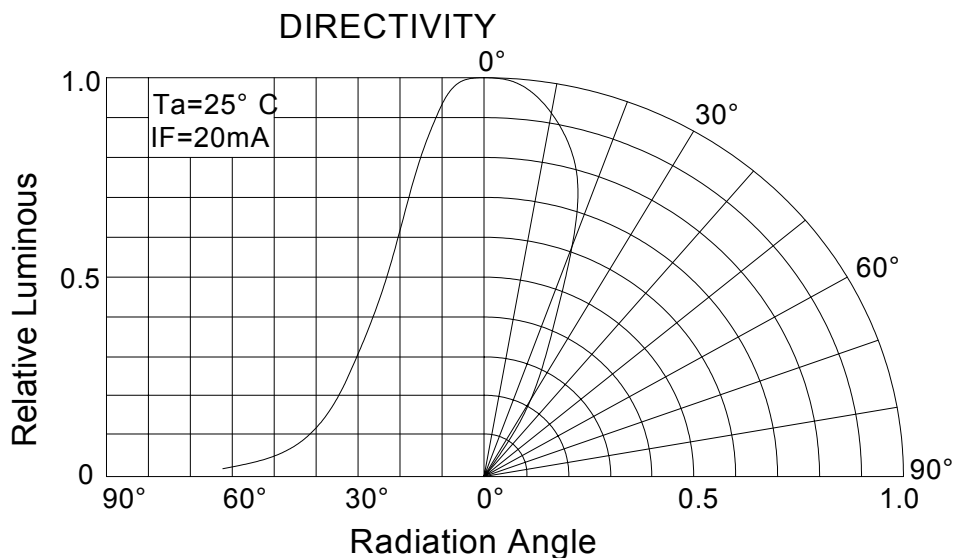
➤ **Descriptions:**

- Dice material: AlGaInP
- Emitting Color: Super Bright Red
- Device Outline:  $\phi$  5mm Round Type
- Lens Type: Water Clear

➤ **Directivity:**



1. All dimensions are millimeters
2. Tolerance is  $\pm 0.25$  mm unless otherwise noted



# LED SPECIFICATION

➤ **Absolute maximum ratings (Ta = 25°C)**

Parameter	Symbol	Test Condition	Values		Unit
			Min.	Max.	
Reverse Voltage	V <sub>R</sub>	I <sub>R</sub> = 30 μ A	5	--	V
Forward Current	I <sub>F</sub>	----	----	30	mA
Power Dissipation	P <sub>d</sub>	----	----	75	mW
Pulse Current	I <sub>peak</sub>	Duty=0.1mS, 1kHz	----	100	mA
Operating Temperature	T <sub>opr</sub>	----	-20	+85	°C
Storage Temperature	T <sub>str</sub>	----	-25	+100	°C

➤ **Electrical and optical characteristics (Ta = 25°C)**

Parameter	Symbol	Test Condition	Values			Unit
			Min.	Typ.	Max.	
Forward Voltage	V <sub>F</sub>	I <sub>F</sub> =20mA	----	2.2	2.6	V
Reverse Current	I <sub>R</sub>	V <sub>R</sub> =5V	----	----	30	μ A
Dominate Wavelength	λ <sub>d</sub>	I <sub>F</sub> =20mA	620	626	630	nm
Peak Wavelength	λ <sub>p</sub>	I <sub>F</sub> =20mA	----	632	----	nm
Spectral Line half-width	Δ λ	I <sub>F</sub> =20mA	----	20	----	nm
Luminous Intensity	I <sub>v</sub>	I <sub>F</sub> =20mA		BIN	----	mcd
Viewing Angle	2 θ 1/2	I <sub>F</sub> =20mA	----	40	----	deg.

➤ **Luminous Intensity Bins (Ta = 25°C)**

Unit:mcd

Bin	U	V	W	X
Min			3000	4180
Max			4180	5160

# LED SPECIFICATION

➤ **Typical electrical/optical characteristic curves:**

