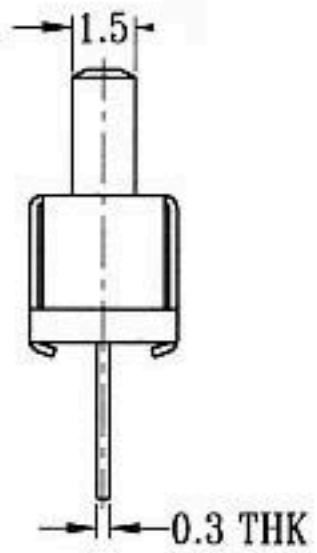
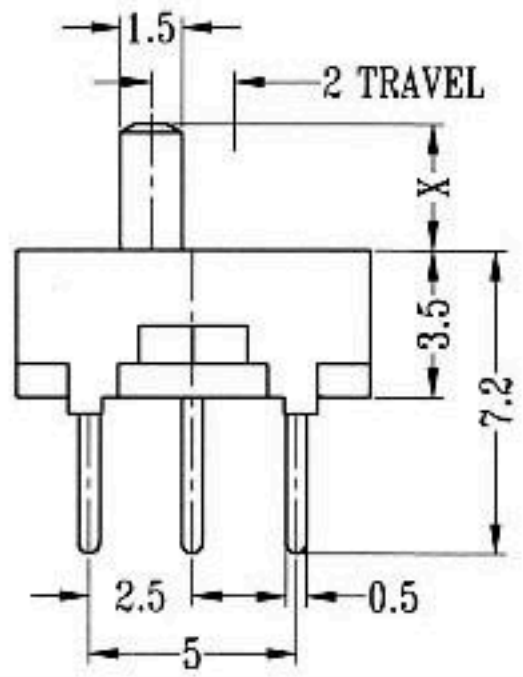


Optional knob type

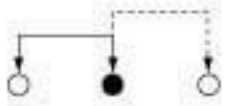
TB					



CIRCUIT DIAGRAM

SPECIFICATIONS

N NON-SHORTING



Rating : 0.3A 50V DC
Function: 1P2T