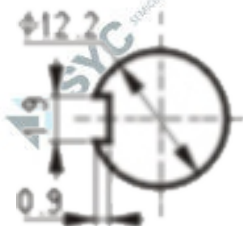
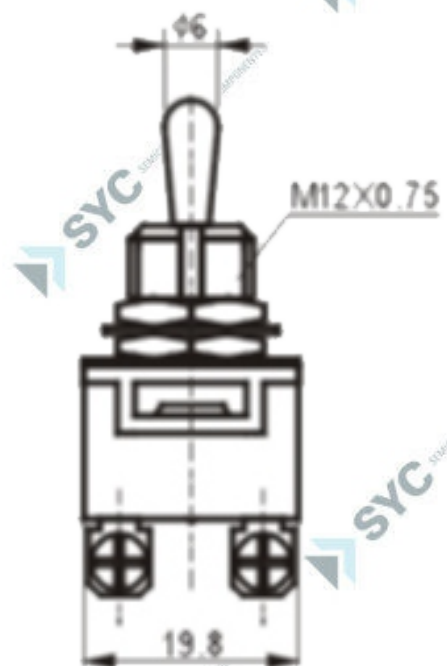
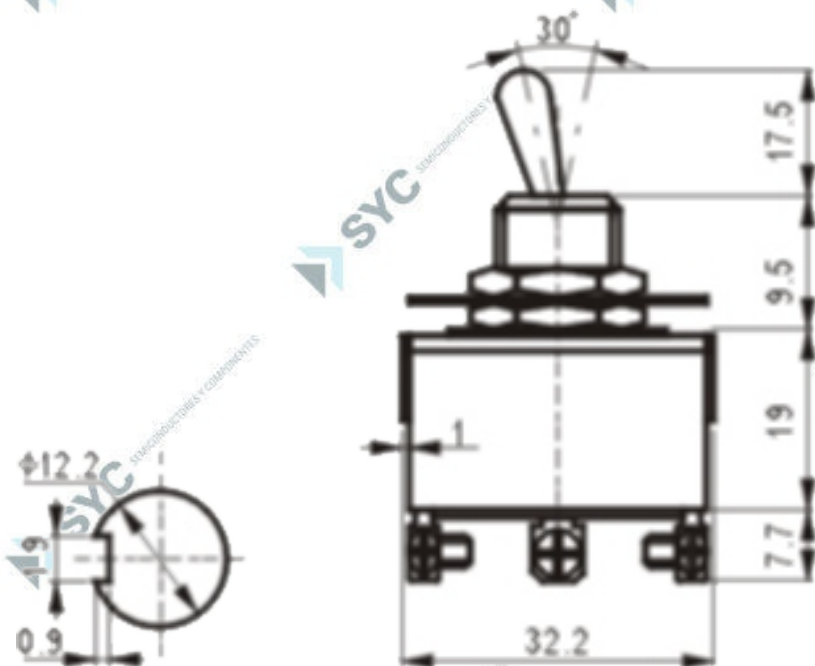
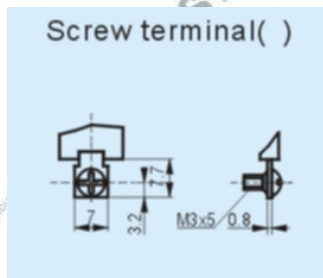
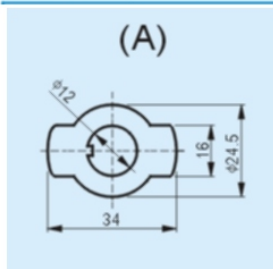


| CODIGO         | DESCRIPCION                 |
|----------------|-----------------------------|
| LLAV-MICROE-20 | LLAVE ON-ON DPDT DE 6 PATAS |

**Specification:**

1. Rating:  
15A 125VAC; 10A 250VAC
2. Contact Resistance: 50mΩ max.
3. Insulation Resistance: 500VDC 1000mΩ min.
4. Dielectric Strength: 1500VAC, 1Minute
5. Operating Temperature: -55°C~+65°C
6. Electrical Life: 20,000 Cycles

**Nameplate options**



unit: mm