



APPROVED DATA SHEET

Model: 1000570051(RP-P1S-P7-Z)
 =====

2009.03.18

ISSUED DATE: Mar 17.2009
 APPROVED NO.: 100057051.B
 PAGE: 1/2

The undersigned guarantee of the model switches is meets the following specifications.

1.Operation Characteristics

Operating Force (OF) : 50±30 gf-cm

2. Specifications

Initial Contact Resistance : Max. 100 mΩ.
 Before measure the switch contact resistance, please turn three circles.

Insulation Resistance : Min. 10 MΩ (50 VDC/ minute) between Live-parts and dead metal parts.

Rating : 1mA 5VDC

Rating Load : Resistive Load

Service Life : Min. 200,000 operations (C.W. 100,000 & C.C.W 100,000)

Operating Frequency : Max. 18 operations per minute

3. Environments

Operating Temperature : -10°C ~ 65°C

Storage Temperature : -10°C ~ 65°C

Storage Humidity : at 40°C, Max. 95% R.H

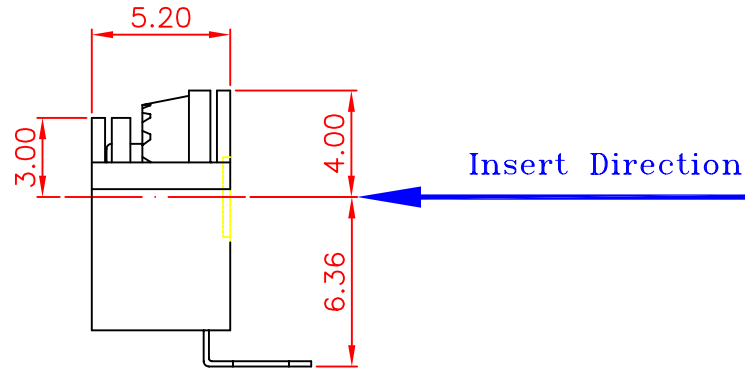
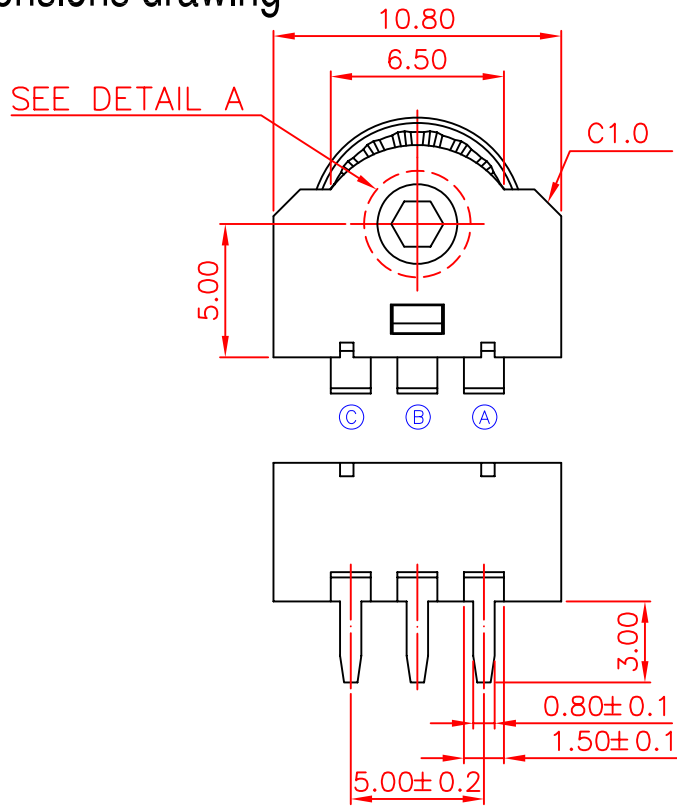
Vibration Resistance : 10~55Hz, displacement 0.75mm(p-p)

Shock Resistance : Destruction: 1,000 m/s² {approx. 100G} max.
 : Malfunction: 300 m/s² {approx. 30G} max.

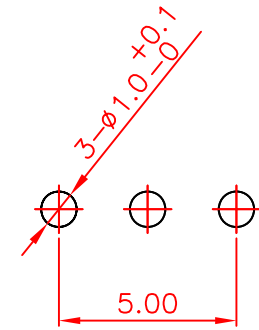
Soldering by hand : 300°C maximum within 5 seconds.
 : 320°C maximum within 3 seconds.

Soldering Temperature : 260°C maximum within 5 seconds.

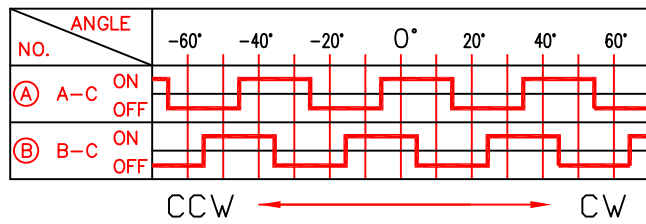
Dimensions drawing



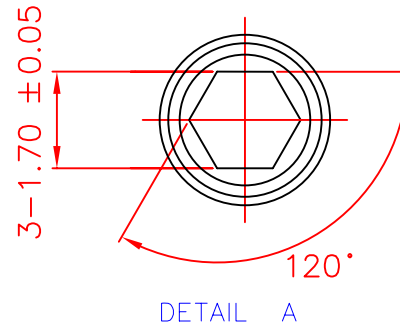
P.C.B MOUNTING DETAIL
(TOLERANCE ±0.1)
VIEWED FROM MOUNTING SIDE



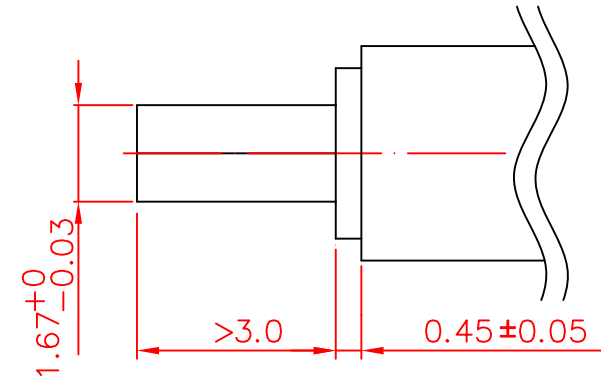
Contact configuration



Numbers of detent : 18
Pulse/Rotation : 9 pulse/360°



Insert Instrument



20 09 .0 3. 17

Tolerance	
X.X	±0.2
XX.X	±0.4

VIEW		SIZE	A4	UNIT	mm
DATE	MAR.17.2009	VER.	1.1	FILE NAME	RP-P7
APPROVAL	余映德	CONFIRM	黃俊嘉	DESIGN	羅慶寬