



ENC-P1S-P1  
APPROVED DATA SHEET

-----  
**Model: 1000570050(RP-P1S-P1-Z)**  
=====

ISSUED DATE: MAR 17.2006  
APPROVED NO.: 1000570050. A  
PAGE: 1/2

The undersigned guarantee of the model switches is meets the following specifications.

### 1. Operation Characteristics

Operating Force (OF) : 50±30 gf-cm

### 2. Specifications

Contact Resistance : Max. 100 mΩ . (Initial)  
Insulation Resistance : Min. 10 MΩ ( At 50 VDC for 1 minute )  
Rating : 1mA 5VDC  
Rating Load : Resistive Load  
Service Life : Min. 200,000 operations (C.W. 100,000 & C.C.W 100,000)  
Operating Frequency : Max. 18 operations per minute

### 3. Environments

Operating Temperature : -10°C ~ 65°C  
Storage Temperature : -10°C ~ 65°C  
Storage Humidity : at 40°C, Max. 95% R.H  
Soldering Bath : Max. 260 °C for 5 seconds  
Soldering By Hand : Max. 260 °C for 5 seconds

ZIPPY TECHNOLOGY CORP.

黃玉燕

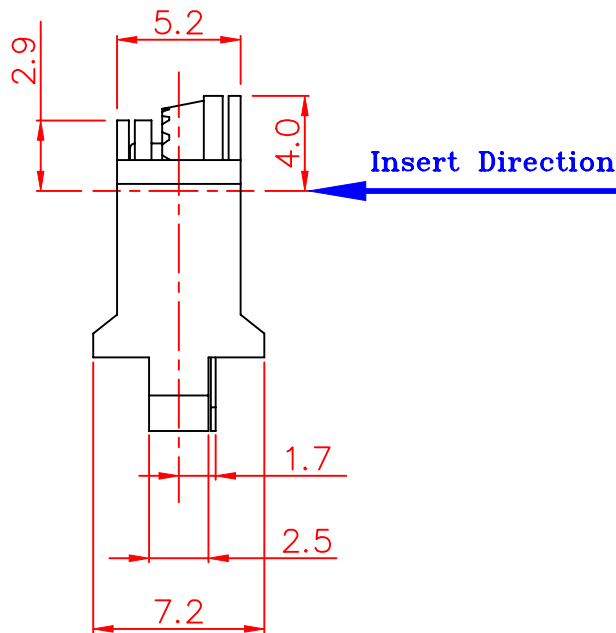
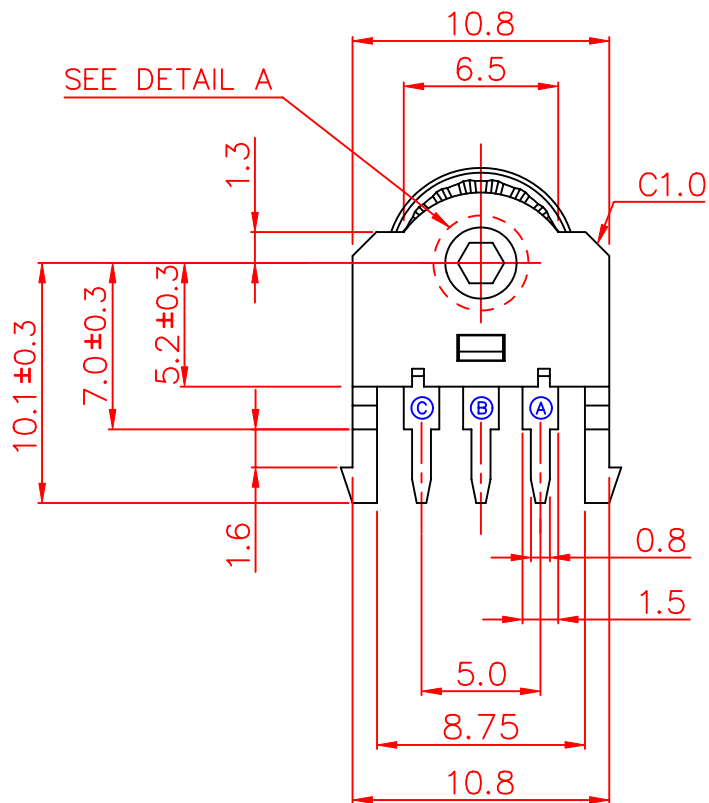
-----  
PREPARED

許嘉欣

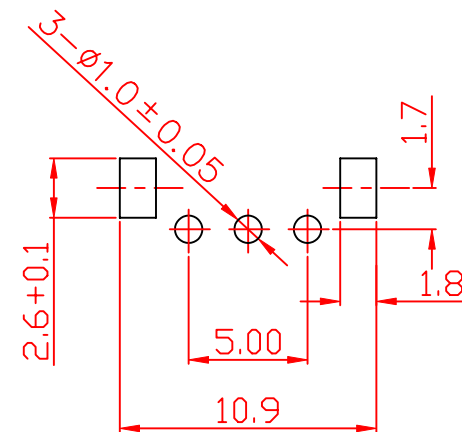
-----  
CHECKED

李金龍

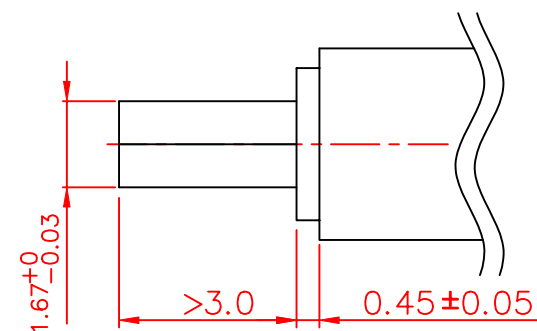
-----  
APPROVED



P.C.B MOUNTING DETAIL  
(TOLERANCE ±0.1)  
VIEWED FROM MOUNTING SIDE  
P.C.B THICKNESS 1.6mm



Insert Instrument



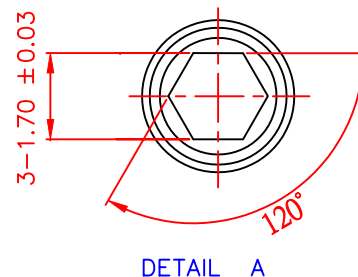
Tolerance ±0.2

Contact configuration

ANGLE NO.		-60°	-40°	-20°	0°	20°	40°	60°
Ⓐ A-C	ON	ON	ON	ON	ON	ON	ON	ON
	OFF	OFF	OFF	OFF	OFF	OFF	OFF	OFF
Ⓑ B-C	ON	OFF	ON	OFF	ON	OFF	ON	OFF
	OFF	ON	OFF	ON	OFF	ON	OFF	ON

CCW ← → CW

Numbers of detent : 18  
Pulse/Rotation : 9 pulse/360°



△	DATE	APPROVAL	DESIGN	ENGINEERING CHANGE DESCRIPTION	VIEW		SIZE	A4	UNIT	mm
	<b>新巨企業股份有限公司</b> <b>ZIPPY</b> TECHNOLOGY CORP.				DATE	2004/12/27	VER.	1.0	FILE NAME	RP-P1
					APPROVAL	李金龍	CONFIRM	羅永助	DESIGN	許嘉欣