



ENC-P1L-P1
APPROVED DATA SHEET

Model: 1001210001(RT-P1L-P1-Z)
=====

2009.03.03

ISSUED DATE: MAR.02.2009
APPROVED NO.: 1001210001.C
PAGE: 1/2

The undersigned guarantee of the model switches is meets the following specifications.

1. Operation Characteristics

Operating Force (OF) : 20 ± 10 gf-cm

2. Specifications

Initial Contact Resistance : Max. 10 Ω
Initial Dielectric Strength : 50 VAC/minute (50-60HZ) between Live-parts and dead metal parts.
Insulation Resistance : Min. 5 M Ω (500 VDC/ minute) between Live-parts and dead metal parts.
Circuit Arrangement : S.P.D.T (Single pole double throw)
Rating : 1mA 10 VDC
Rating Load : Resistive Load
Service Life : Min. 200,000 operations (C.W. 100,000 & C.C.W 100,000)
Operating Frequency : Max. 30 operations per minute

3. Environments

Operating Temperature : -10°C ~ 60°C
Storage Temperature : -40°C ~ 70°C
Storage Humidity : at 60°C, Max. 95% R.H
Vibration Resistance : 10~55Hz, displacement 0.75mm(p-p)
Shock Resistance : Destruction: 1,000 m/s² {approx. 100G} max.
: Malfunction: 300 m/s² {approx. 30G} max.
Soldering by hand : 320°C maximum within 5 seconds.
: 350°C maximum within 3 seconds.
Soldering Temperature : 260°C maximum within 5 seconds.

ZIPPY TECHNOLOGY CORP.

卓妍蓁

PREPARED

文件編號：1AC-01

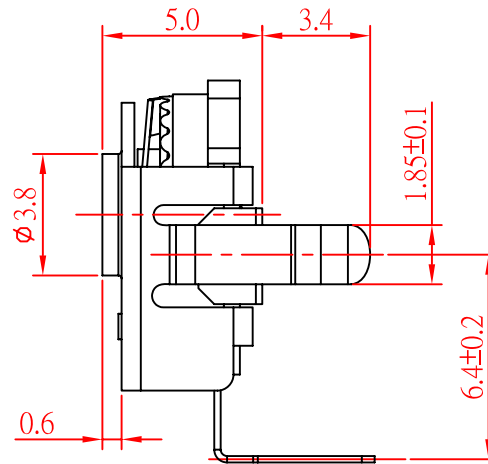
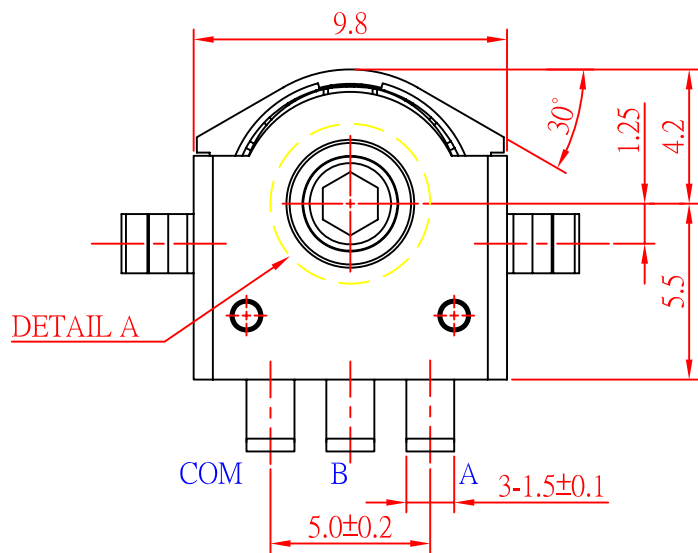
羅慶寬

CHECKED

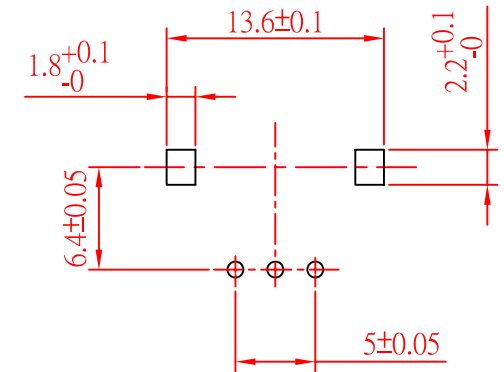
余映德

APPROVED

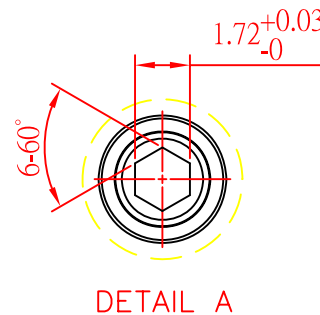
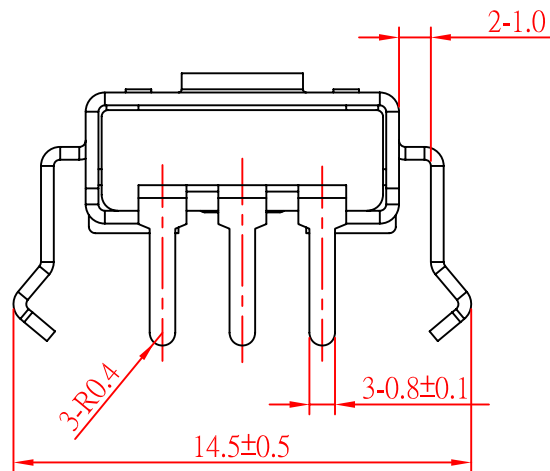
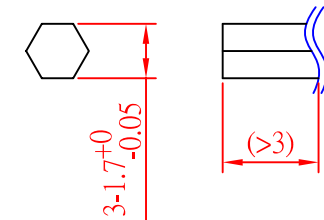
1001210001(RT-P1L-P1)



■ MOUNTING HOLES



■ INSERT INSTRUMENT



▲ ■ CONTACT CONFIGURATION

ANGLE	-90°	-60°	-30°	0°	30°	60°	90°
NO.							
① A-C	ON	ON	ON	ON	ON	ON	ON
OFF	OFF	OFF	OFF	OFF	OFF	OFF	OFF
② B-C	ON	ON	ON	ON	ON	ON	ON
OFF	OFF	OFF	OFF	OFF	OFF	OFF	OFF

CCW ← → CW

Numbers of detent : 24
Pulse/Rotation : 12 pulse/360°

20 09. 03. 03

Tolerance
X.X ± 0.2
XX.X ± 0.4

VIEW		SIZE	A4	UNIT	mm
DATE	2009/03/03	VER.	1.2	FILE NAME	RTP1LP1
APPROVAL	余映德	CONFIRM	黃俊嘉	DESIGN	羅慶寬