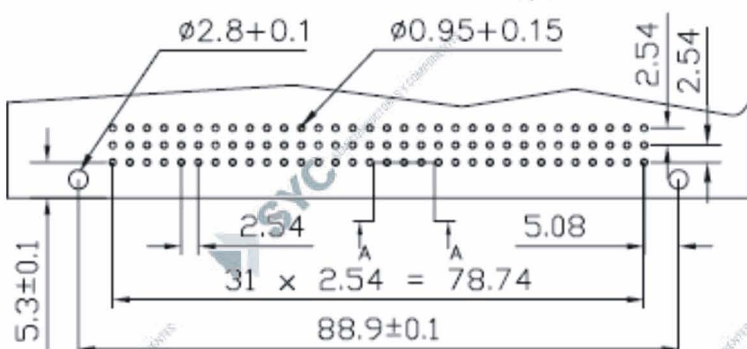
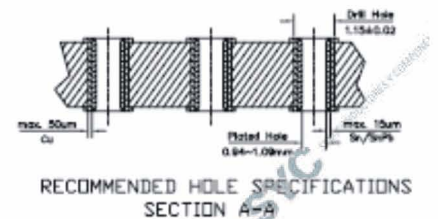
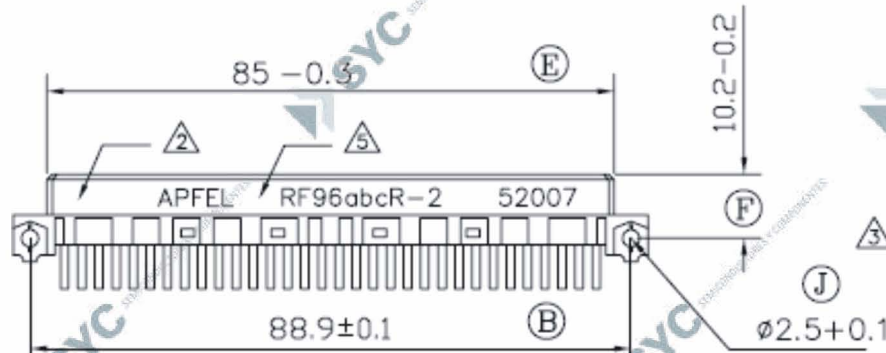
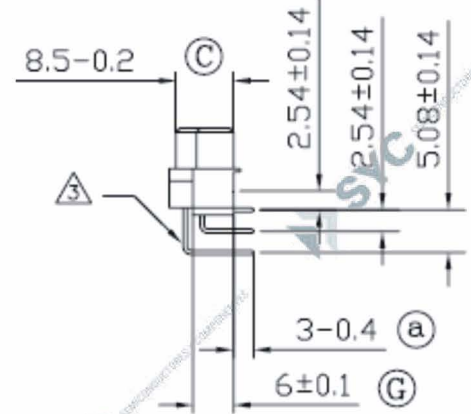
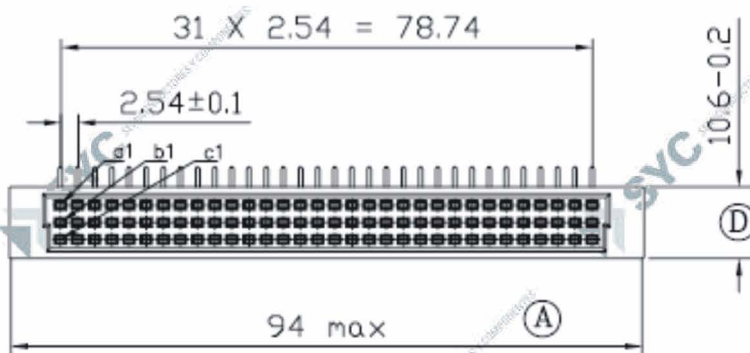


**CODIGO**

RF96ABCR

**DESCRIPCION**

Hembra a 90° 3 x 32 A + B + C



RECOMMENDED PCB HOLE LAYOUT COMPONENT SIDE

- ① CONNECTOR MEETS REQUIREMENT OF DIN 41612
- ② MATERIAL :  
 -HOUSING: GLASS-FILLED PBT, COLOR GREY, UL 94V-0  
 -CONTACT: COPPER ALLOY
- ③ CONTACT TAIL DIMENSION  
 THICKNESS : 0.35 ± 0.02mm  
 WIDTH : 0.60 ± 0.04mm  
 TAIL LENGTH : 3 - 0.4mm
- ④ CONTACT FINISH (OPTION IN PART NUMBER)  
 -1: 30u"(0.75um) GOLD PLATING ON MATING AREA, TIN PLATING ON TAIL AREA, FLASH GOLD PLATING ON NON-MATING AREA, NICKEL UNDERPLATE ALL OVER  
 -2: 15u"(0.38um) GOLD PLATING ON MATING AREA, TIN PLATING ON TAIL AREA, FLASH GOLD PLATING ON NON-MATING AREA, NICKEL UNDERPLATE ALL OVER  
 BLANK: FLASH GOLD PLATING ON MATING AREA AND NON-MATING AREA, TIN PLATING ON TAIL AREA, NICKEL UNDERPLATE ALLOVER
- ⑤ CONNECTOR PRINTED WITH COMPANY NAME, PART NUMBER, AND BATCH NUMBER