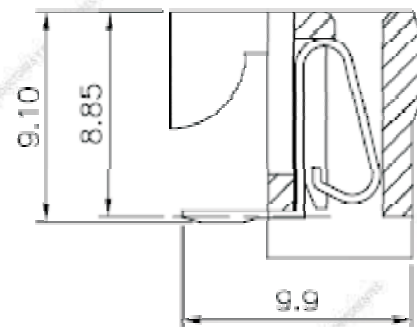
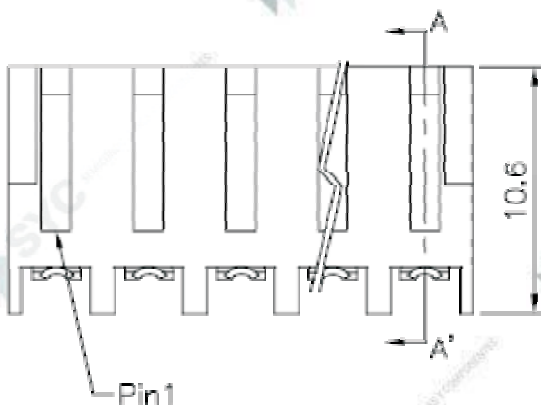
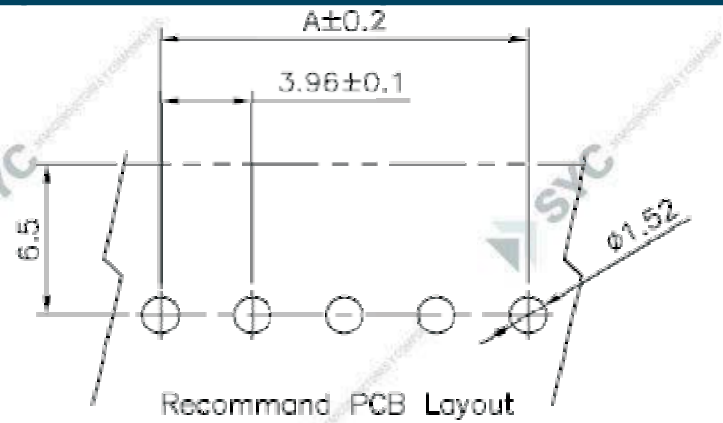
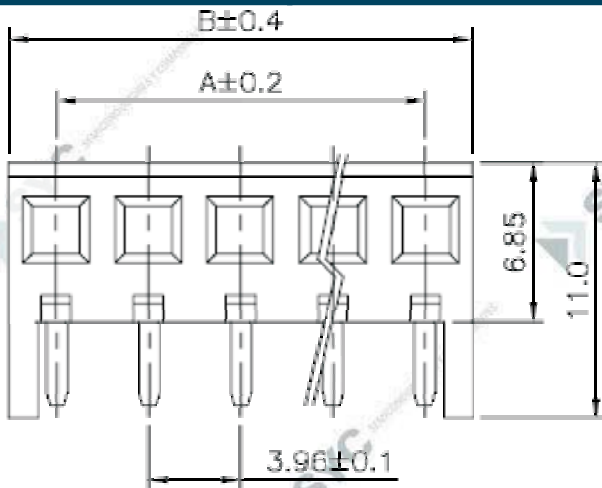


CODIGO

PHUXX-CI

DESCRIPCION

Conector hembra a impreso a 90° de X vias



A-A' Section

■ **SPECIFICATIONS**

- Voltage Rating : 250 V AC/DC
- Current Rating : 5A AC/DC
- Withstanding Voltage : 1,500V AC/minute
- Insulation Resistance : 1,000M Ω min
- Temperature Range : - 24°C to + 105°C
- Contact Resistance : 20m Ω max

■ **WAFER**

- Poles : 2 - 20
- Material : Contact : Brass, Tin Plated
Base : Nylon 66 UL94V-2
- Q' ty : 1,000 pcs./Bag

Poles	Dimensions(mm)	
	A	B
2	3.96	8.06
3	7.92	12.02
4	11.88	15.98
5	15.84	19.94
6	19.80	23.90
7	23.76	27.86
8	27.72	31.82
9	31.68	35.78
10	35.64	39.74
11	39.60	43.70
12	43.56	47.66
13	47.52	51.62
14	51.48	55.58
15	55.44	59.54
16	59.40	63.50
17	63.36	67.46
18	67.32	71.42
19	71.28	75.38
20	75.24	79.34