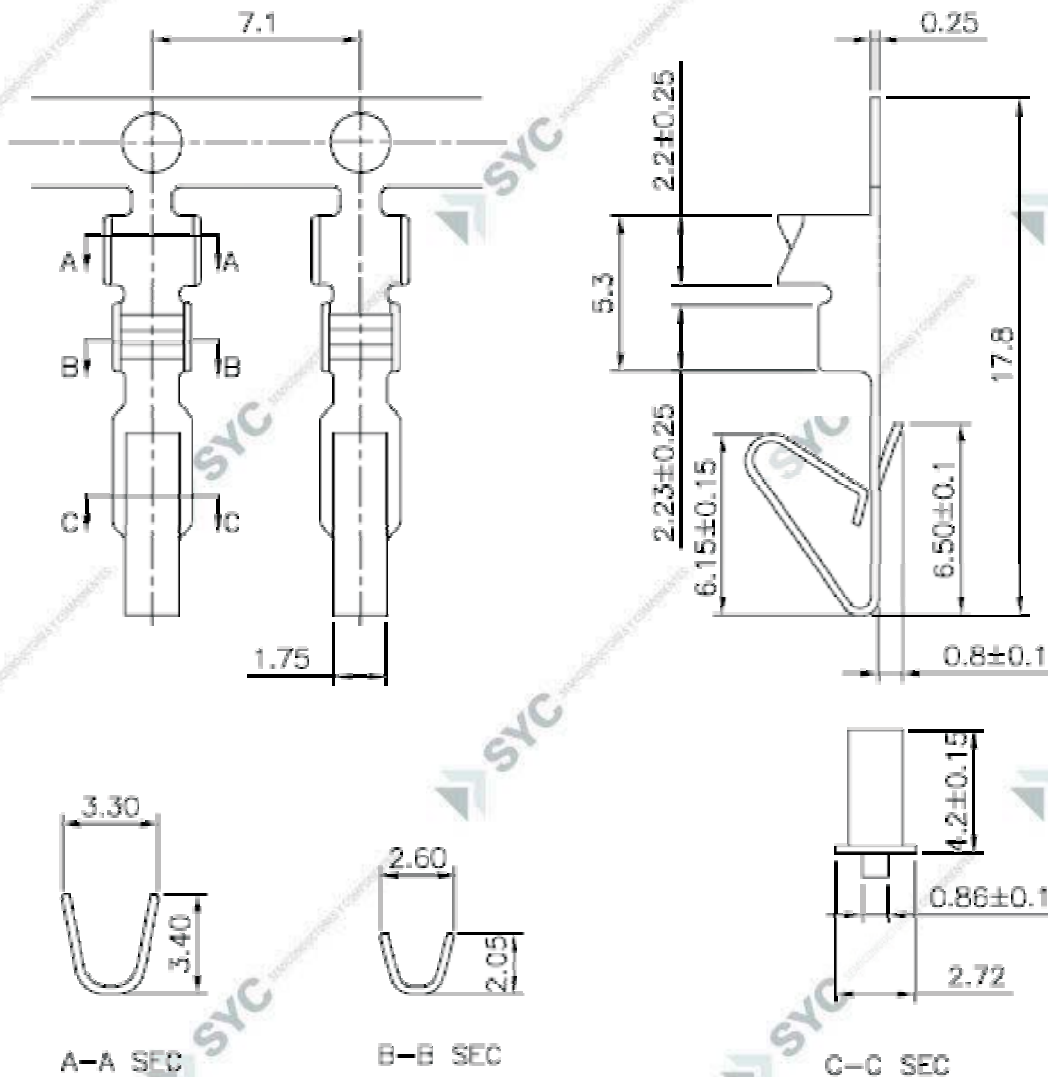


**CODIGO**

**DESCRIPCION**

PHUT

Terminal crimpeable para PHUXX en rollo



■ **SPECIFICATIONS**

- Voltage Rating : 250V AC/DC
- Current Rating : 5A AC/DC
- Withstanding Voltage : 1,500V AC/minute
- Insulation Resistance : 1,000M $\Omega$  min
- Temperature Range : - 25 $^{\circ}$ C to + 85 $^{\circ}$ C
- Contact Resistance : 20m $\Omega$  max

■ **TERMINAL**

- Applicate Wires : AWG# 18 - 24
- Material : Brass
- Finish : Tin Plated
- Thickness : 0.25mm
- Q' ty : 6,000 pcs./Reel