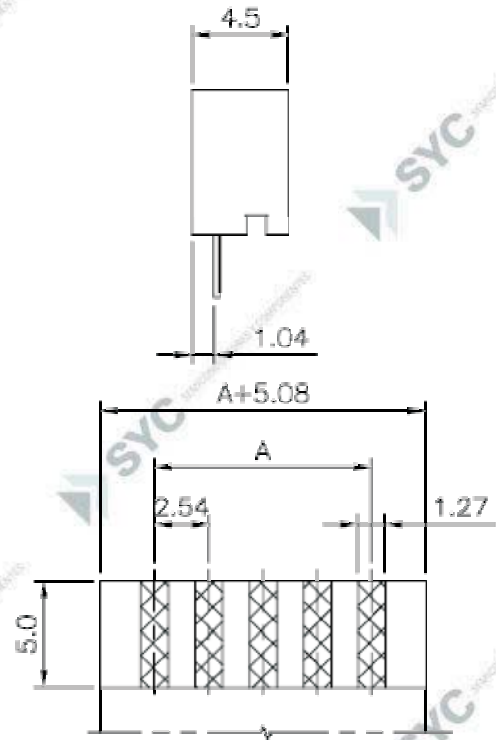
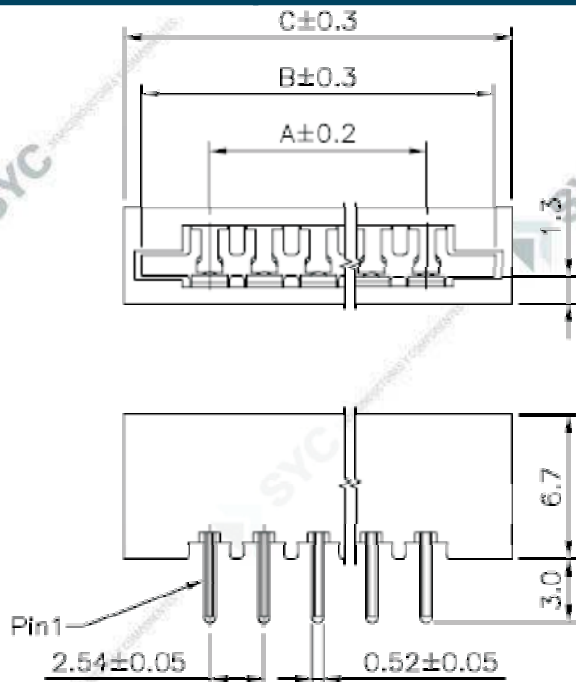


CODIGO

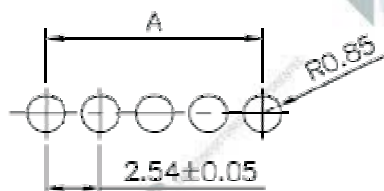
FPCXXS

DESCRIPCION

Conector impreso flexible de X vias recto



Recomand FPC Layout



Recomand PCB Layout

SPECIFICATIONS

- Voltage Rating : 250V AC/DC
- Current Rating : 1A AC/DC
- Withstanding Voltage : 1,000V AC/minute
- Insulation Resistance : 5,000M Ω min
- Temperature Range : - 40°C to + 105°C
- Contact Resistance : 25m Ω max

FPC/FPC CONNECTOR

- Poles : 2-30
- Material : Contact : Phos. Bronze, Tin Plated
Base : PBT UL94V-0
- Qty : 1,000pcs/Bag

Poles	Dimensions (mm)		
	A	B	C
2	2.54	8.43	10.54
3	5.08	10.97	13.08
4	7.62	13.51	15.62
5	10.16	16.05	18.16
6	12.70	18.59	20.79
7	15.24	21.13	23.24
8	17.78	23.67	25.78
9	20.32	26.21	28.32
10	22.86	28.75	30.86
11	25.40	31.29	33.40
12	27.94	33.83	35.94
13	30.48	36.37	38.48
14	33.02	38.91	41.02
15	35.56	41.45	43.56
16	38.10	43.99	46.10
17	40.64	46.53	48.64
18	43.18	49.07	51.18
19	45.72	51.60	53.72
20	48.26	54.15	56.26
21	50.80	56.69	58.80
22	53.34	59.23	61.34
23	55.88	61.77	63.88
24	58.42	64.31	66.42
25	60.96	66.85	68.96
26	63.50	69.39	71.50
27	66.04	71.93	74.04
28	68.58	74.47	76.58
29	71.12	77.01	79.12
30	73.66	79.55	81.66