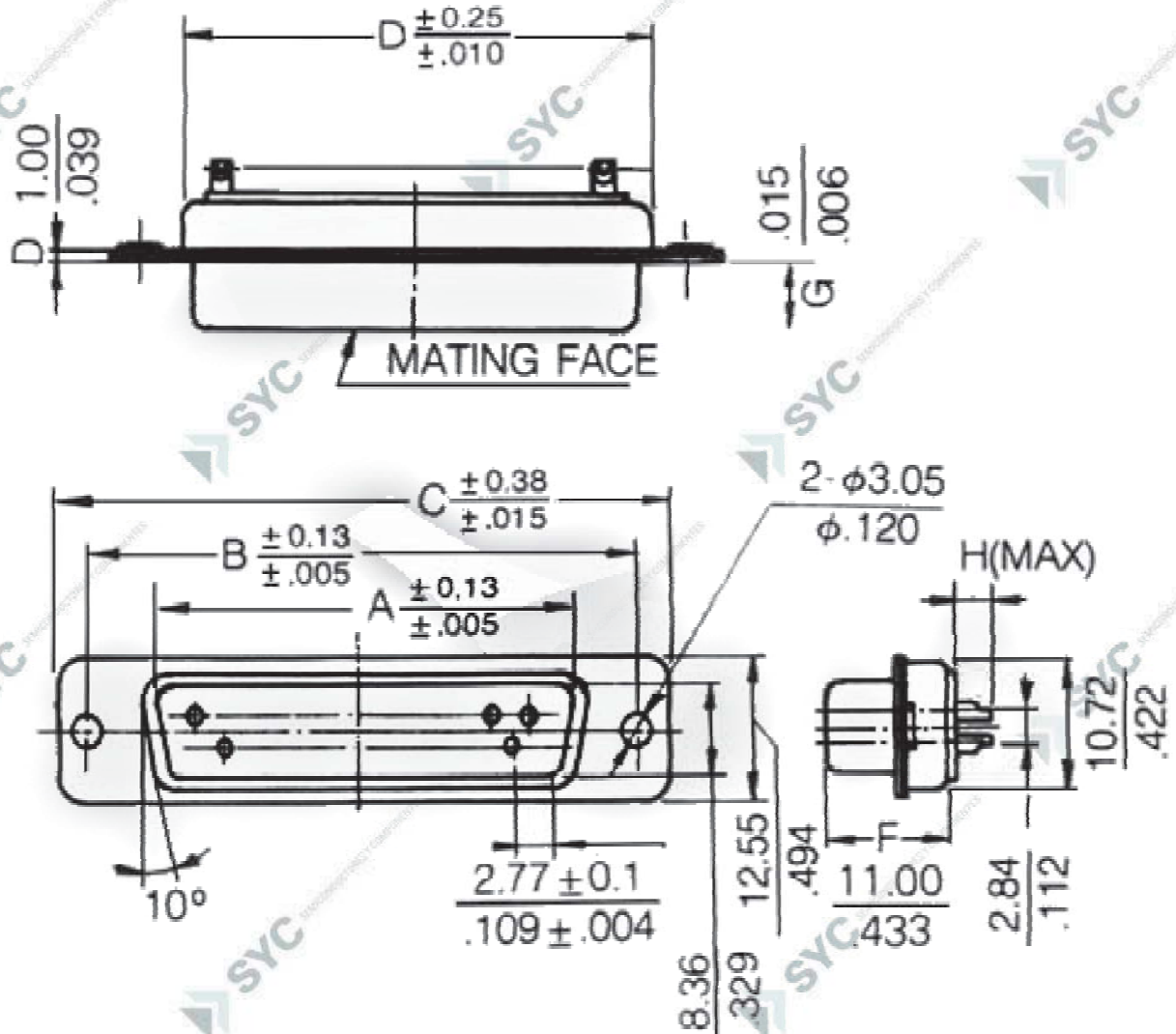


CODIGO

DSXXP

DESCRIPCION

Conector macho para soldar a cable



Circuits	A	B	C	D
9	16.33 (.643)	24.99 (.984)	30.81 (1.213)	19.23 (.757)
15	24.66 (.971)	33.32 (1.312)	39.14 (1.541)	27.56 (1.085)
19	30.07 (1.184)	38.94 (1.533)	44.94 (1.769)	32.86 (1.294)
23	35.41 (1.394)	44.27 (1.743)	50.27 (1.979)	38.51 (1.516)
25	38.38 (1.511)	47.04 (1.852)	53.04 (2.088)	41.28 (1.625)
37	54.84 (2.159)	63.50 (2.500)	69.32 (2.729)	57.73 (2.273)
50	52.43 (2.064)	61.11 (2.406)	66.93 (2.635)	55.12 (2.170)