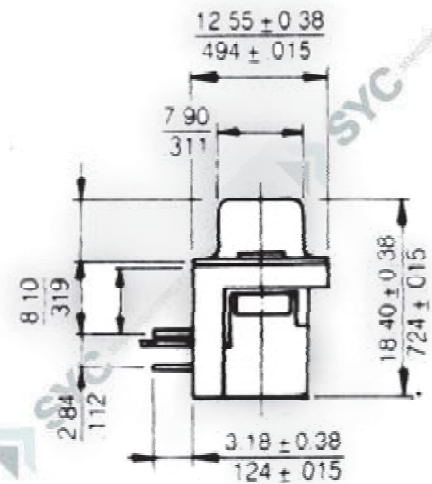
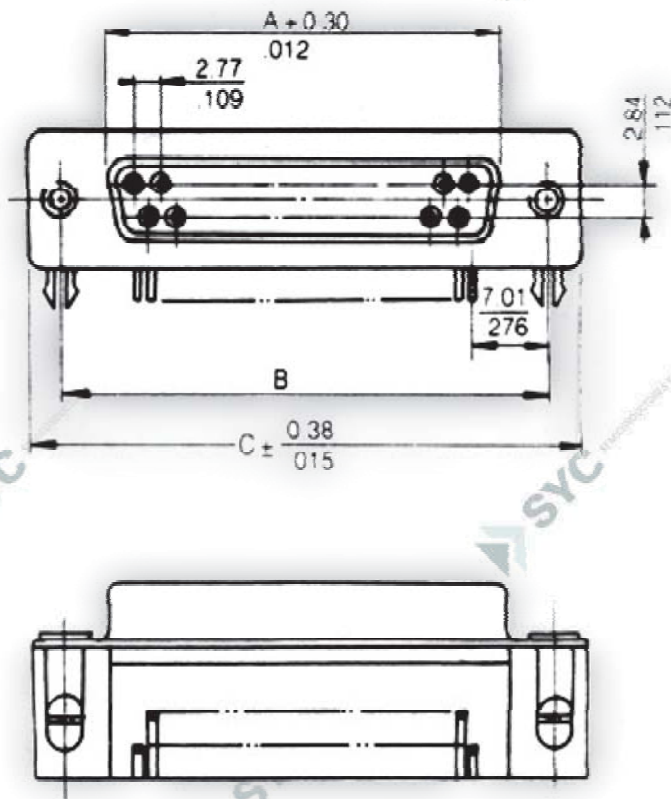


CODIGO

DRBXXSR

DESCRIPCION

Conector para circuito impreso a 90°



Circuits	A	B	C
9	16.33 (.643)	24.99 (.984)	30.81 (1.213)
15	24.66 (.971)	33.32 (1.312)	39.14 (1.541)
25	38.38 (1.511)	47.04 (1.852)	53.04 (2.088)
37	54.84 (2.159)	63.50 (2.500)	69.32 (2.729)
* 50	52.43 (2.064)	61.11 (2.406)	66.93 (2.635)