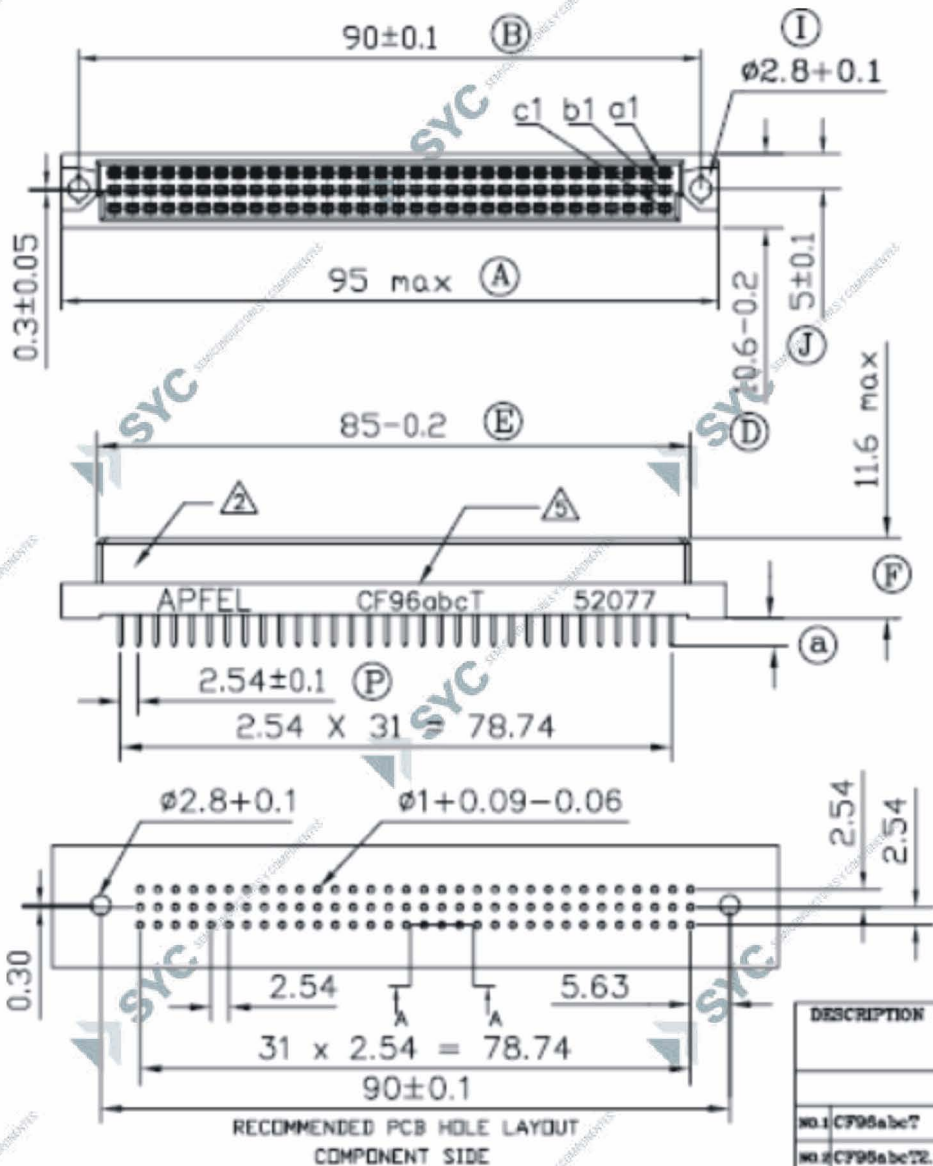


CODIGO

DESCRIPCION

CF64ACT

Hembra recta 2 x 32 A + C



- △ CONNECTOR MEETS REQUIREMENT OF DIN 41612
- △ MATERIAL:
 - HOUSING: GLASS-FILLED PBT, COLOR GREY, UL 94V-0
 - CONTACT: COPPER ALLOY
- △ CONTACT TAIL DIMENSION (THICKNESS x WIDTH x LENGTH)
 - T1: $0.3 \pm 0.02 \times 0.64 \pm 0.04 \times 4 \pm 0.2$
 - T2.5: $0.3 \pm 0.02 \times 0.64 \pm 0.04 \times 2.5 \pm 0.2$
 - W5: $0.6 \pm 0.015 \times 0.6 + 0.03 - 0.05 \times 5 \pm 0.2$
 - W7: $0.6 \pm 0.015 \times 0.6 + 0.03 - 0.05 \times 7.4 \pm 0.2$
- △ CONTACT FINISH (OPTION IN PART NUMBER)
 - 1: 30μ (0.75um) GOLD PLATING ON MATING AREA, TIN PLATING ON TAIL AREA, FLASH GOLD PLATING ON NON-MATING AREA, NICKEL UNDERPLATE ALLOWER
 - 2: 15μ (0.38um) GOLD PLATING ON MATING AREA, TIN PLATING ON TAIL AREA, FLASH GOLD PLATING ON NON-MATING AREA, NICKEL UNDERPLATE ALLOWER
 - BLANK: FLASH GOLD PLATING ON MATING AREA AND NON-MATING AREA, TIN PLATING ON TAIL AREA, NICKEL UNDERPLATE ALLOWER
- △ CONNECTOR PRINTED WITH COMPANY NAME, PART NUMBER, AND BATCH NUMBER

