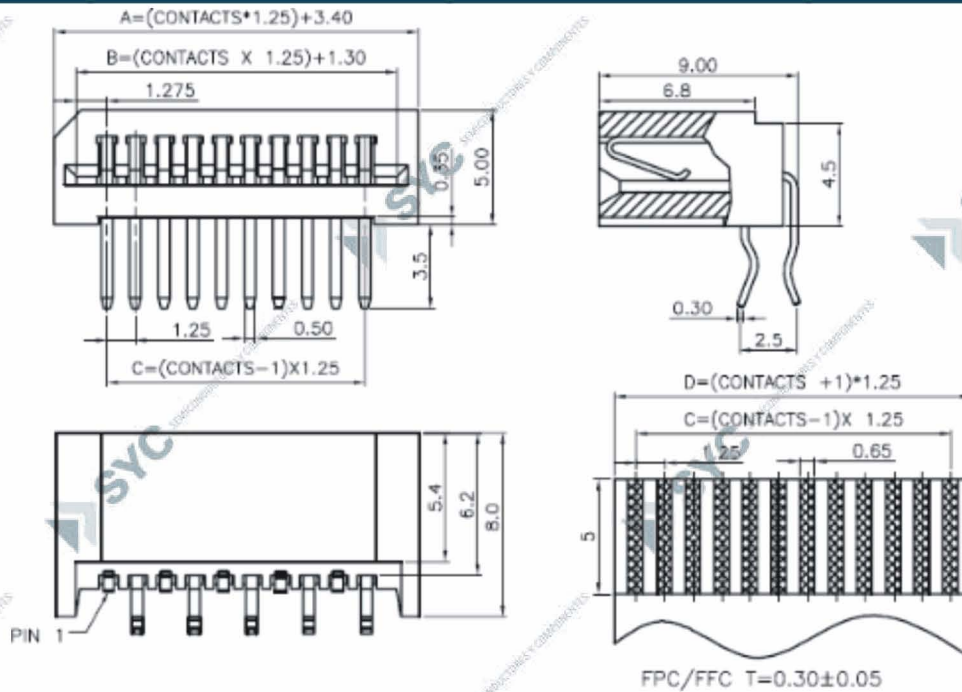


CODIGO

2323R-XXA

DESCRIPCION

Borde de impreso flexible de X vias



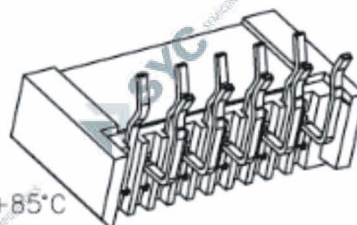
POS	Dimension				POS	Dimension			
	A	B	C	D		A	B	C	D
3	7.15	5.05	2.50	3.25	17	24.65	22.55	20.00	20.75
4	8.40	6.30	3.75	4.50	18	25.90	23.80	21.25	22.00
5	9.65	7.55	5.00	5.75	19	27.15	25.05	22.50	23.25
6	10.90	8.80	6.25	7.00	20	28.40	26.30	23.75	24.50
7	12.15	10.05	7.50	8.25	21	29.65	27.55	25.00	25.75
8	13.40	11.30	8.75	9.50	22	30.90	28.80	26.25	27.00
9	14.65	12.55	10.00	10.75	23	32.15	30.05	27.50	28.25
10	15.90	13.80	11.25	12.00	24	33.40	31.30	28.75	29.50
11	17.15	15.05	12.50	13.25	25	34.65	32.55	30.00	30.75
12	18.40	16.30	13.75	14.50	26	35.90	33.80	31.25	32.00
13	19.65	17.55	15.00	15.75	27	37.15	35.05	32.50	33.25
14	20.90	18.80	16.25	17.00	28	38.40	36.30	33.75	34.50
15	22.15	20.05	17.50	18.25	29	39.65	37.55	35.00	35.75
16	23.40	21.30	18.75	19.50	30	40.90	38.80	36.25	37.00

Specifications:

Current rating:1 Amps
 Voltage rating:200V
 Dielectric Withstanding:AC 500V
 Operating Temperature:-25°C ~ +85°C
 Contact resistance:30m ohm max.
 Insulation resistance:500M ohm min.

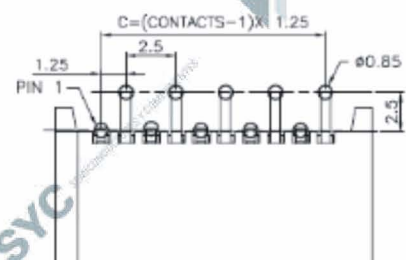
Materials:

Insulator:High Temp.Plastic(UL94V-0)
 Contact material:Copper Alloy
 Plating:Tin Plated



How To Order
 2323R-XXA

- A: Standard Type
- No. Of Positions
- R: Right Angle
- Series No.



RECOMMENDED P.C.BOARD LAYOUT(STD)