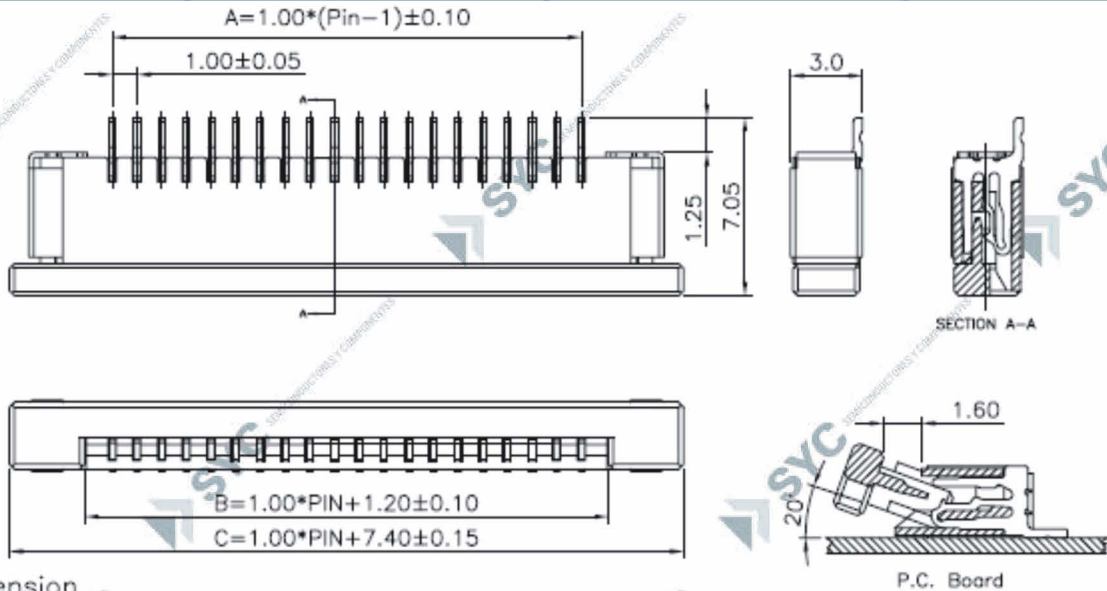


**CODIGO**

1223-XX-02

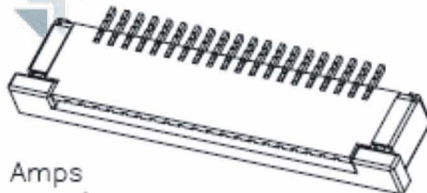
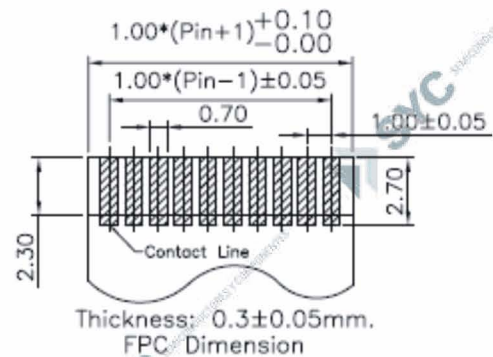
**DESCRIPCION**

Para impreso flexible 30V SMD 1mm A 90°



Dimension

No.Of Pin	DimA	DimB	DimC	No.Of Pin	DimA	DimB	DimC
3	2.0	4.2	10.4	18	17.0	19.2	25.4
4	3.0	5.2	11.4	19	18.0	20.2	26.4
5	4.0	6.2	12.4	20	19.0	21.2	27.4
6	5.0	7.2	13.4	21	20.0	22.2	28.4
7	6.0	8.2	14.4	22	21.0	23.2	29.4
8	7.0	9.2	15.4	23	22.0	24.2	30.4
9	8.0	10.2	16.4	24	23.0	25.2	31.4
10	9.0	11.2	17.4	25	24.0	26.2	32.4
11	10.0	12.2	18.4	26	25.0	27.2	33.4
12	11.0	13.2	19.4	27	26.0	28.2	34.4
13	12.0	14.2	20.4	28	27.0	29.2	35.4
14	13.0	15.2	21.4	29	28.0	30.2	36.4
15	14.0	16.2	22.4	30	29.0	31.2	37.4
16	15.0	17.2	23.4	31	30.0	32.2	38.4
17	16.0	18.2	24.4	32	31.0	33.2	39.4

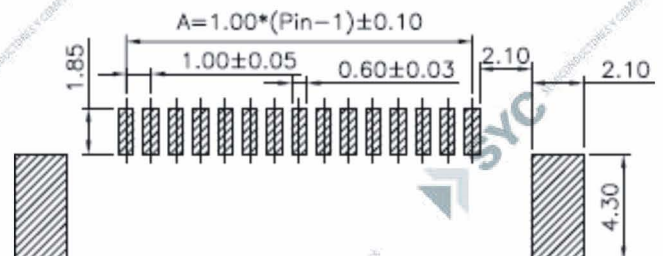


**Specifications:**

Current Rating:1.0 Amps  
 Voltage Rating:100V AC/DC  
 Contact Resistance:30m Ohm Max  
 Insulator Resistance:100M Ohm Min  
 Withstanding Voltage: 500V AC/Minute  
 Operating Temperature Range:-25°C~+105°C  
 Material:

Insulator:High Temp. Plastic (Nylon 6T UL94V-0)  
 Contact:Phosphor Bronze  
 Plating:Tin plated

How To Order  
 1223-XX-02



P.C.B. Layout