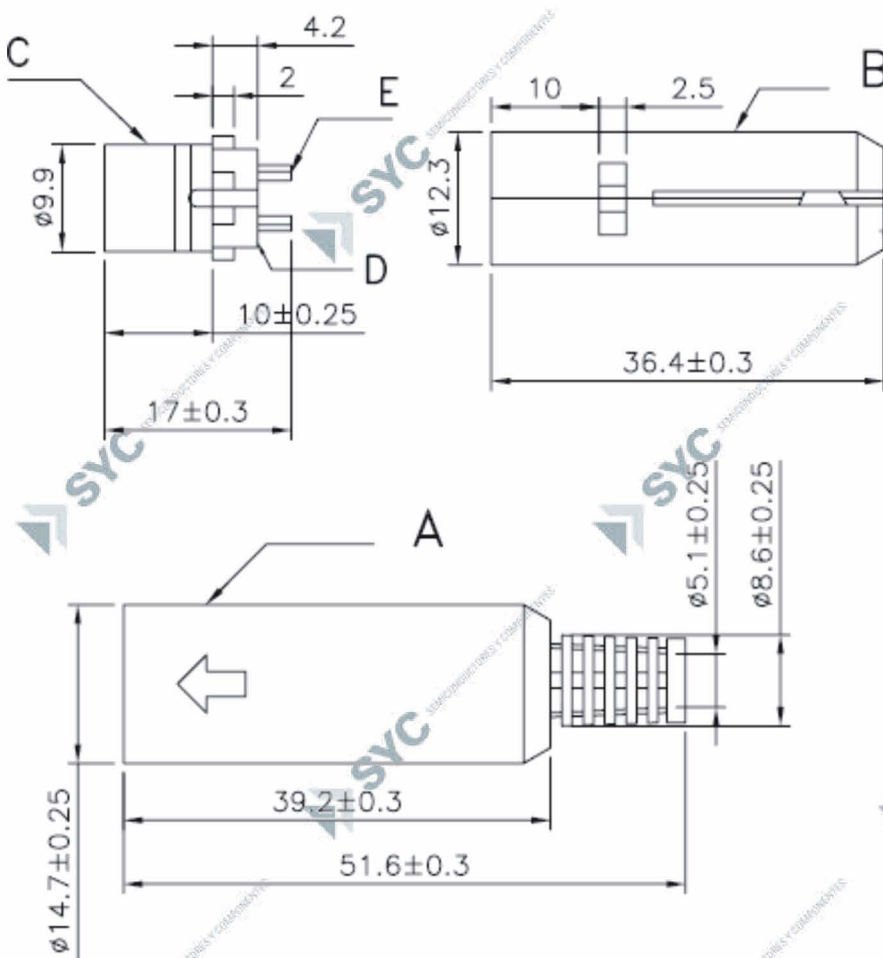
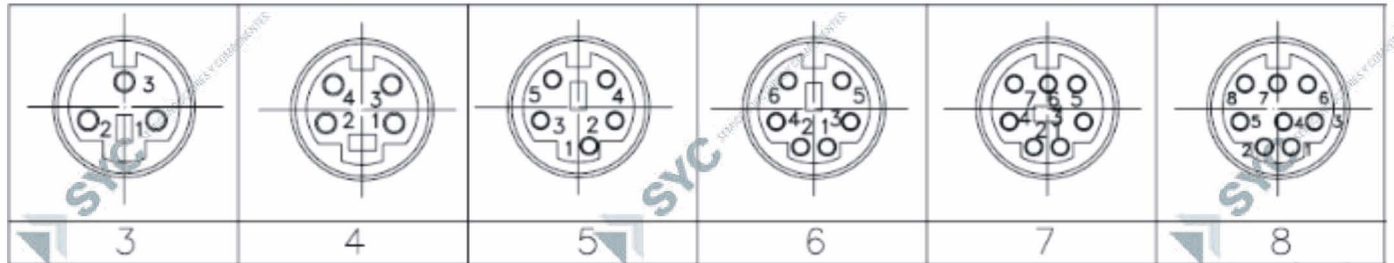


CODIGO	DESCRIPCION
1200S-XXA	Minidin X vias hembra a cable



Materials:

- A. BOOT: PVC
- B. MIDDLE HOOD: ABS
- C. METAL PART: COPPER, NICKEL PLATED
- D. INSULATOR: PC
- E. PIN CONTACT: COPPER, SILVER

GENERAL TOLERANCE:

±0.2

7.0φ BACK SHELL
6.0φ BACK SHELL
5.0φ BACK SHELL (STANDARD)
COVER DIM.

TABLE A

SPECIFICATIONS:

1. RATION: 100V AC 1A MAX or 12V DC 2A MAX.
2. INSULATION RESISTANCE: 50M OHM MIN at 250V DC.
3. DIELECTRIC STRENGTH: 250 V AC / 1 MINUTE.
4. CONTACT RESISTANCE: 30M OHM MAX.
5. INSERTION FORCE: 4.5KG MAX.
6. WITHDRAWAL FORCE: 0.9KG ~ 3KG.