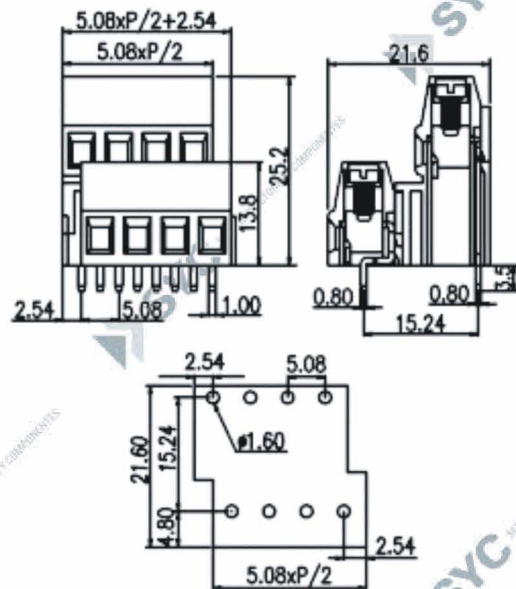
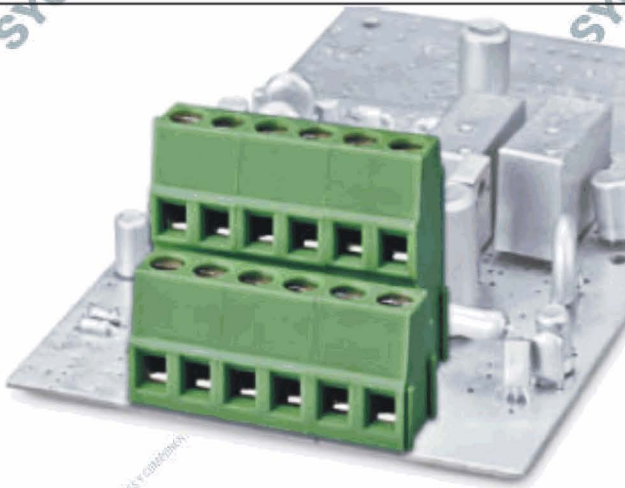


CODIGO	DESCRIPCION
EK508V4L-XXP	Bornera doble piso X polos 10A



European P.C.B. type terminal blocks / EK series



EK508V4L



Pitch: 5.08mm

Approval	 	
Technical Data	UL	IEC
Rated voltage	300V	250A
Rated current	20A	10A
Wire range		2.5mm <sup>2</sup>
Solid wire (AWG)	24~12	
Stranded wire (AWG/mm <sup>2</sup> )	24~12	
Rated surge voltage (UL/IEC/Max.)	1.6 / 2 / 4 KV	
Torque (Lb-in)	4.4	
Screw	M2.5	
Wire strip length	6~7mm	
Pole	Cat. No.	
2x2	EK508V4L-04P	
3x2	EK508V4L-06P	