

**CODIGO**

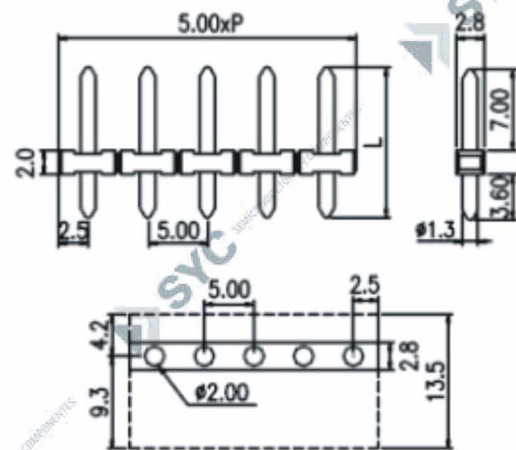
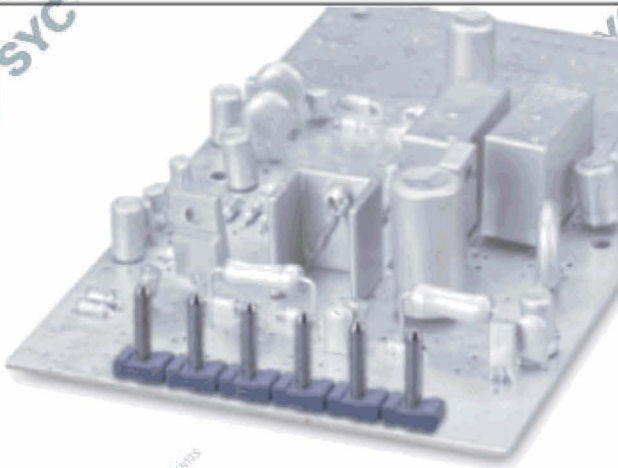
EDH130-XXP

**DESCRIPCION**

Macho X vias para bornera enchufable

**Wire protector type terminal blocks / ED series**

**EDH130**



L: 12.6 14.1 14.5 16.5 18.6 19.6 21.0

**Pitch: 5.00mm**

Approval



Technical Data

UL

IEC

Rated voltage

300V

250A

Rated current

7A

10A

Wire range

Solid wire (AWG)

Stranded wire (AWG/mm<sup>2</sup>)

Rated surge voltage (UL/IEC/Max.)

1.6 / 2 / 4 KV

Torque (Lb-in)

Screw

Wire strip length

Pole

Cat. No.

02

EDH130-02P/L

:

:

:

:

24

EDH130-24P/L