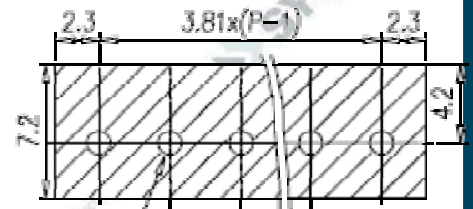
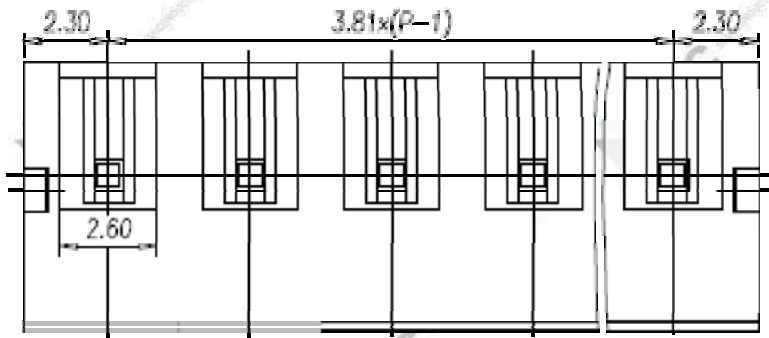
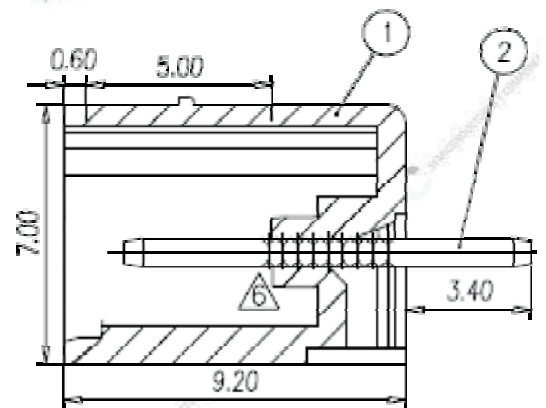
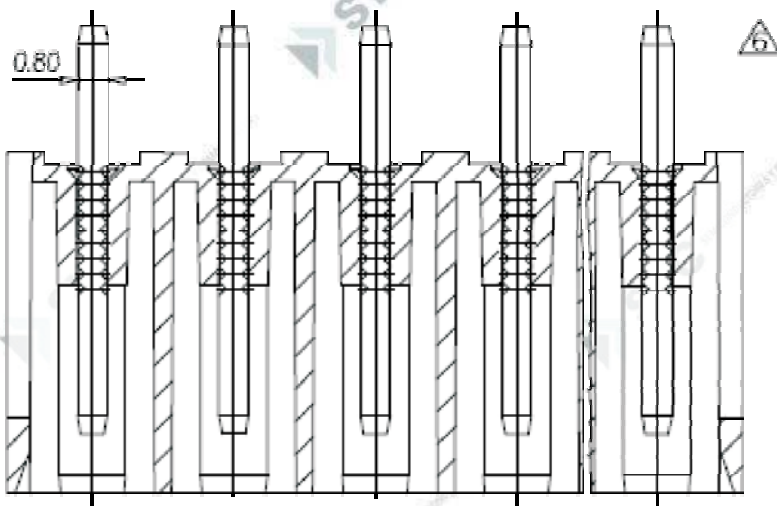


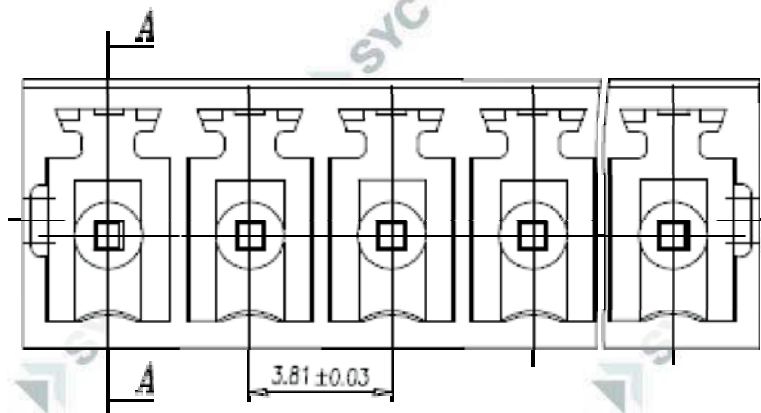
CODIGO	DESCRIPCION
ECH381V-XXP	Enchufable macho a PCB 3.81mm recto de XV



P.C.B. LAYOUT



SECTION A-A



NOTES:

- Rating: 300V 8A
PITCH: 3.81mm
- Insulator Withstands Voltage:
AC 1000V/1MIN
- Insulation Resistance:
1000MΩ or more at DC500V
- Using Temperature Range:
-40°C ~ +120°C
- Undimensioned Tolerances:

— () /	0.05/10
— () / /	0.2/10
PITCH ERROR	0.05/10
UNDIMENSIONED TOLERANCES	±0.3