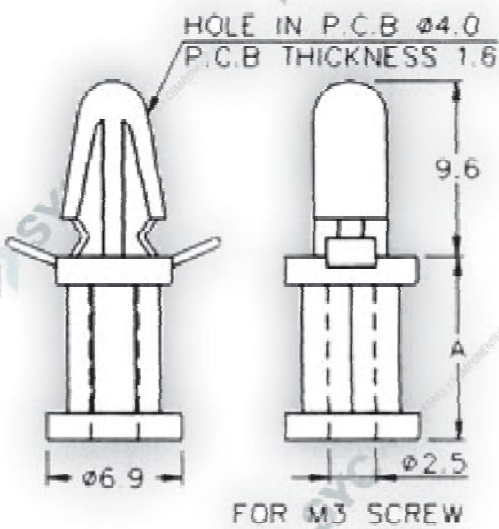


CODIGO

TCBS-XX

DESCRIPCION

Soporte para circuito impreso



PART NO	A	PACKAGE
TCBS-5	5.0	1000
TCBS-10	10.0	
TCBS-15	15.0	
TCBS-20	20.0	
TCBS-25	25.0	
TCBS-30	30.0	
TCBS-35	35.0	