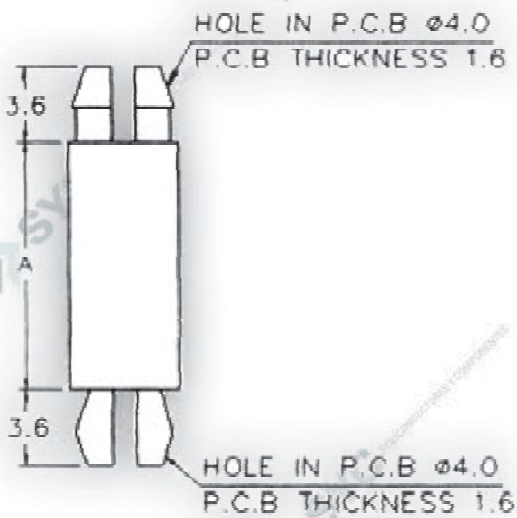


CODIGO

MSP-XX

DESCRIPCION

Espaciador de circuito impreso



PART NO	A	PACKAGE
MSP-5	5.0	1000
MSP-6	6.3	
MSP-8	8.0	
MSP-9	9.5	
MSP-10	10.5	
MSP-12	12.7	
MSP-14	14.0	
MSP-15	15.9	
MSP-19	19.0	
MSP-22	22.0	