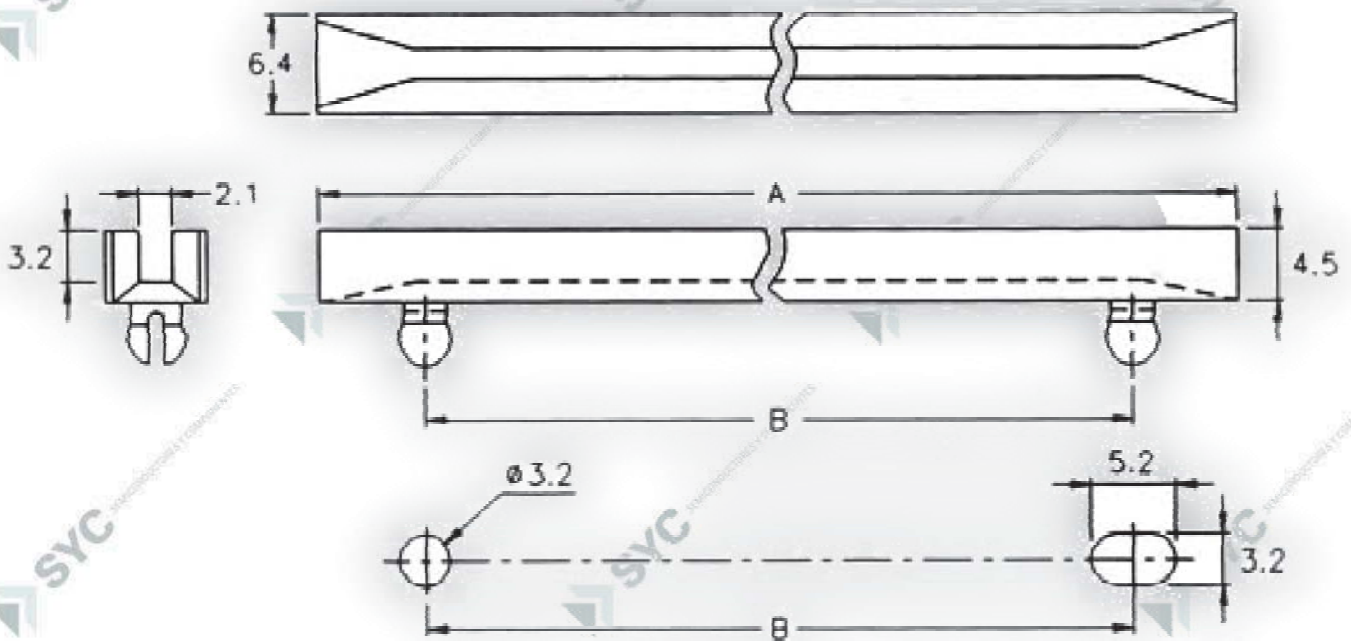


**CODIGO**

CG-XXX

**DESCRIPCION**

Guia de plaqueta



PART NO	A	B	PACKAGE
CG-250	63.5	50.8	250
CG-300	76.2	63.5	
CG-350	88.9	76.2	
CG-400	101.6	88.9	
CG-450	114.3	101.6	
CG-500	127.0	114.3	
CG-550	139.7	127.0	
CG-600	152.4	139.7	