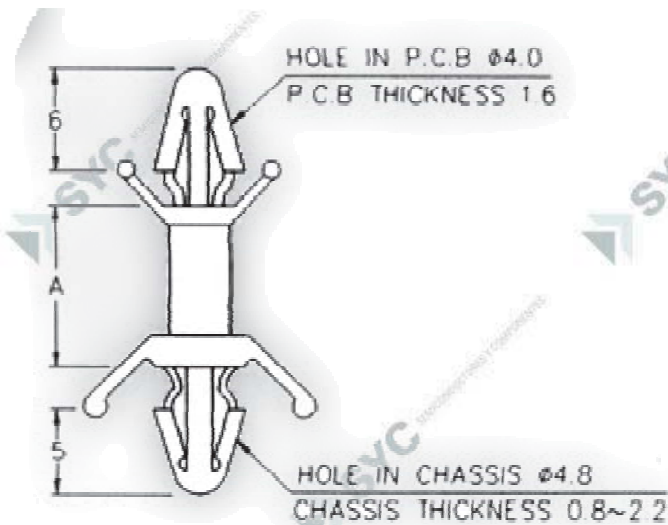


CODIGO

CBS-XX

DESCRIPCION

Soporte largo para circuito impreso



PART NO	A	PACKAGE
CBS-6	6.3	1000
CBS-9	9.2	
CBS-12	12.5	
CBS-15	15.7	
CBS-19	19.0	
CBS-22	22.0	
CBS-25	25.4	
CBS-28	28.6	